



perfect in sensors.



POSIWIRE®

**Cable Actuated
Position Sensors WS**



WS® Position Sensors

Contents



Contents	Page
The Company and the Products	3
Selection Guide for WS® Position Sensors	4/5
WS10SG Position sensor with analog, SSI or CANopen output	6
WS10SG Position sensor with incremental encoder output	8
WS10ZG Position sensor with analog, SSI or CANopen output	10
WS10ZG Position sensor with incremental encoder output	12
WS10 Position sensor with analog, SSI or CANopen output	14
WS10 Position sensor with incremental encoder output	16
WS17KT Position sensor with analog, SSI or CANopen output	18
WS58C Position sensor with absolute encoder output	22
WS19KT Position sensor with absolute encoder output	26
WS19KT Position sensor with incremental encoder output	27
WS7.5 Position sensor with analog, SSI or CANopen output	32
WS7.5 Position sensor with absolute or incremental encoder output	33
WS60 Position sensor with absolute or incremental encoder output	36
WS12 Position sensor with analog, SSI or CANopen output	38
WS12 Position sensor with incremental encoder output	40
WS10EX Position sensor WS10 with analog output, dust explosion-proof	42
WS12EX Position sensor WS12 with analog output, dust explosion-proof	44
WS100M Position sensor with analog output for offshore applications	46
WS31C Compact OEM sensor with analog output	50
WS42C Compact OEM sensor with analog output	52
WS31 Compact OEM sensor with incremental encoder output	54
WS42 Compact OEM sensor with incremental encoder output	56
Output specifications	58
Output information	72
Calibration data	76
Mounting hints	78
Accessories	80
Connection cables	82
PRODIS-ADC Digital process meter for sensors with analog output	84
PRODIS-INC Digital process meter for sensors with incremental output	86
PRODIS-SSI Digital process meter for sensors with SSI output	88
Other ASM products	92
Protection classes according to EN 60529	93

The information presented in this catalog does not form part of any quotation or contract, is believed to be accurate and reliable and may be changed without notice. No liability will be accepted by ASM for any consequence of its use. Publication thereof does not convey nor imply any license under patent or industrial or intellectual property rights.

Applications that are described herein for any of these products are for illustrative purpose only. ASM makes no representation or warranty that such applications will be suitable for the specified use without further testing or modification.

The Company and the Products



ASM is a leading company in the development and production of linear and angular position sensors. ASM sensors are used in industrial and commercial applications, where angle, inclination, displacement or position measurements are used to automate, test or monitor processes.

Innovative Technologies that solve your Measuring Requirements

Our product range consists of various technologies to measure linear and rotative positions. With over 30 years of experience in the position sensor market, ASM offers innovative solutions for the most demanding applications.

ASM Products Represent Quality and Reliability

The quality and precision of our products ensures consistent productivity. Our continuous research and development in our laboratories as well as our DIN EN 9001:2000 certified quality management system guarantee these high standards.

ASM – Global Supplier of Position Sensors

ASM products are sold world-wide through sales offices, subsidiaries and a network of 50 distributors. With this global presence we ensure being close to our customers and provide quick product availability wherever ASM sensors are needed.

The product range







- **POSIWIRE®** WS - Cable Actuated Position Sensors
- **POSITAPE®** WB - Tape Actuated Position Sensors
- **POSICHRON®** Magnetostrictive Position Sensors
- **POSIMAG®** Magnetic Scale Position Sensors
- **POSIROT®** Magnetic Angle Encoders
- **POSITILT®** Magnetic Inclinemeters
- **PRODIS®** Digital Process Meters



POSIWIRE®

Selection Guide for WS® Position Sensors

Measure-by-wire

Model									
	WS31(C) / WS42(C)		WS10SG		WS10ZG / WS10		WS17KT	WS58C	WS19KT
Selection features									
Data sheet at page...	50/52	54/56	6	8	10/14	12/16	18	22	26
Sensing device	P	E	P	E	P	E	P	E	E
Measurement range 0 to ... [mm]									
100			●		●				
125			●		●				
250	●								
375			●		●				
500	●	●	●		●				
750	●		●		●				
1000		●	●		●				
1250			●	●	●	●			
1500							●		
2000							●		●
2500							●	●	
3000							●		●
3500									
4000							●		
5000							●		●
6000									
6250							●		
7500									
8000									●
10000							●		
12500							●		
15000							●		●
20000									
25000									
30000									
40000									
60000									
Analog outputs, absolute									
Potentiometer 1 kΩ/10 kΩ	●		●		●		●		
Voltage 0 ... 10 V	● ³⁾		●		●		●		
Current 4 ... 20 mA	●		●		●		●		
PMUV/PMUI 0 ... 10 V/4 ... 20 mA			●		●		●		
Incremental outputs									
TTL/HTL/RS422									
Incremental encoder		●		●		●			●
Digital outputs, absolute									
SSI			● ¹⁾		● ¹⁾		● ¹⁾	●	●
Profibus								●	●
CAN / CANopen			● ²⁾		● ²⁾		● ²⁾	●	●
DeviceNet								●	●
Interbus								●	●
Linearity standard	0.35%	0.20%	0.10%	0.05%	0.10%	0.05%	0.10%	0.05%	0.05%
optional	–	–	0.05%	–	0.05%	–	0.05%	0.01%	0.01%
Protection class	IP50		IP65		IP65		IP64 (IP66)	IP50 (IP64)	IP64
Explosion protection									
Dust-Ex proof	–	–	–	–	–	–	–	–	–


WS31C and WS42C also available without housing







Sensing device: P = Potentiometer E = Encoder

● = standard; ○ = optional; – = not available;

¹⁾ = A/D converted SSI output 16 bit (optional 12 or 14 bit)

²⁾ = A/D converted CANopen bus 16 Bit ³⁾ = 0.5 ... 10 V

 = Instrumentation

     								Model	Selection features
WS7.5		WS60	WS12		WS10EX	WS12EX	WS100M		
32	33	36	38	40	42	44	46		
P	E	E	P	E	P	P	P		
								Data sheet at page...	
								Sensing device	
								Measurement range 0 to ... [mm]	
									100
									125
									250
									375
									500
									750
									1000
									1250
									1500
									2000
									2500
									3000
									3500
									4000
									5000
									6000
									6250
									7500
									8000
•	•						•	10000	
									12500
									15000
•	•							20000	
									25000
•	•							30000	
•	•							40000	
									60000
								Analog outputs, absolute	
•			•		•	•	•	Potentiometer 1 k Ω /10 k Ω	
•			•		•	•	•	Voltage 0 ... 10 V	
•			•		•	•	•	Current 4 ... 20 mA	
•			•					PMUV / PMUI 0 ... 10V / 4 ... 20 mA	
								Incremental outputs TTL/HTL/RS422	
	•	•		•				Incremental encoder	
								Digital outputs, absolute	
• ¹⁾	•	•	• ¹⁾				○	SSI	
	•	•					○	Profibus	
• ²⁾	•	•	• ²⁾				○	CAN / CANopen	
	•	•					○	DeviceNet	
	•	•					○	Interbus	
0.10%	0.05%	0.10%	0.10%	0.05%	0.10%	0.10%	0.10%	Linearity standard	
0.05%	0.01%	0.025%	0.05%	–	0.05%	0.05%	0.05%	optional	
IP52		IP52	IP67		IP65	IP67	IP68/IP69K	Protection class	
								Explosion protection	
–	–	–	–	–	•	•	–	Dust-Ex proof	

 = Industry

 = Heavy Duty

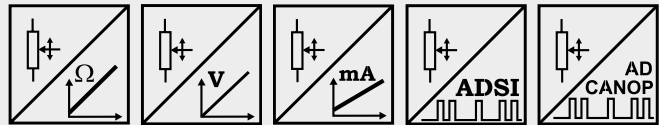
 = Offshore

POSIWIRE® WS10SG Analog, SSI or CANopen Output



Very compact sensor for industrial applications

- Protection class IP65
- Measurement range 0 ... 100 mm to 0 ... 1250 mm
- Analog output or
A/D converted synchronous serial output (SSI) or
A/D converted CANopen output



Specifications	Outputs	Potentiometer 1 kΩ Voltage 0 ... 10 V Current 4 ... 20 mA, 2 or 3 wire Voltage or current output, programmable (PMUV/PMUI) A/D converted synchronous serial interface (SSI) A/D converted CANopen bus
	Resolution	Analog: essentially infinite ADSI16: max. 16 bit f.s. ADCANOP: 16 bit f.s.
	Linearity	Up to ±0.05% f.s.
	Sensing device	Precision potentiometer
	Material	Aluminum, stainless steel and plastic; cable: stainless steel
	Protection class	IP65 (with mating connector only)
	Connection	Male 8 pin socket M12 (ADCANOP: 5 pin socket)
	Weight	350 g approx.
	EMC, temperature	Refer to output specification

Order code WS10

WS10SG - [] - [] - [] - [] - []

Model name

Measurement range (in mm)

100 / 125 / 375 / 500 / 750 / 1000 / 1250

Output

R1K = Potentiometer 1 kΩ
 10V = 0 ... 10 V signal conditioner
 420A = 4 ... 20 mA signal conditioner
 420T = 4 ... 20 mA signal conditioner
 PMUV/PMUI = Programmable 0... 10 V or 4 ... 20 mA signal conditioner
 ADSI16 = A/D converted synchronous serial interface 16 bit (12 or 14 bit opt.)
 ADCANOP = A/D converted CANopen bus

Linearity

L10 = ±0.10 % option: L05 = ±0.05 % L25 = ±0.25 %

Cable fixing

M4 = M4 cable fixing
 SB0 = Cable clip

Connection

M12 = 8 pin socket M12 (not for ADCANOP)
 M12/CAN = 5 pin socket M12 (only for ADCANOP)

Order code connector cable: see page 82/83

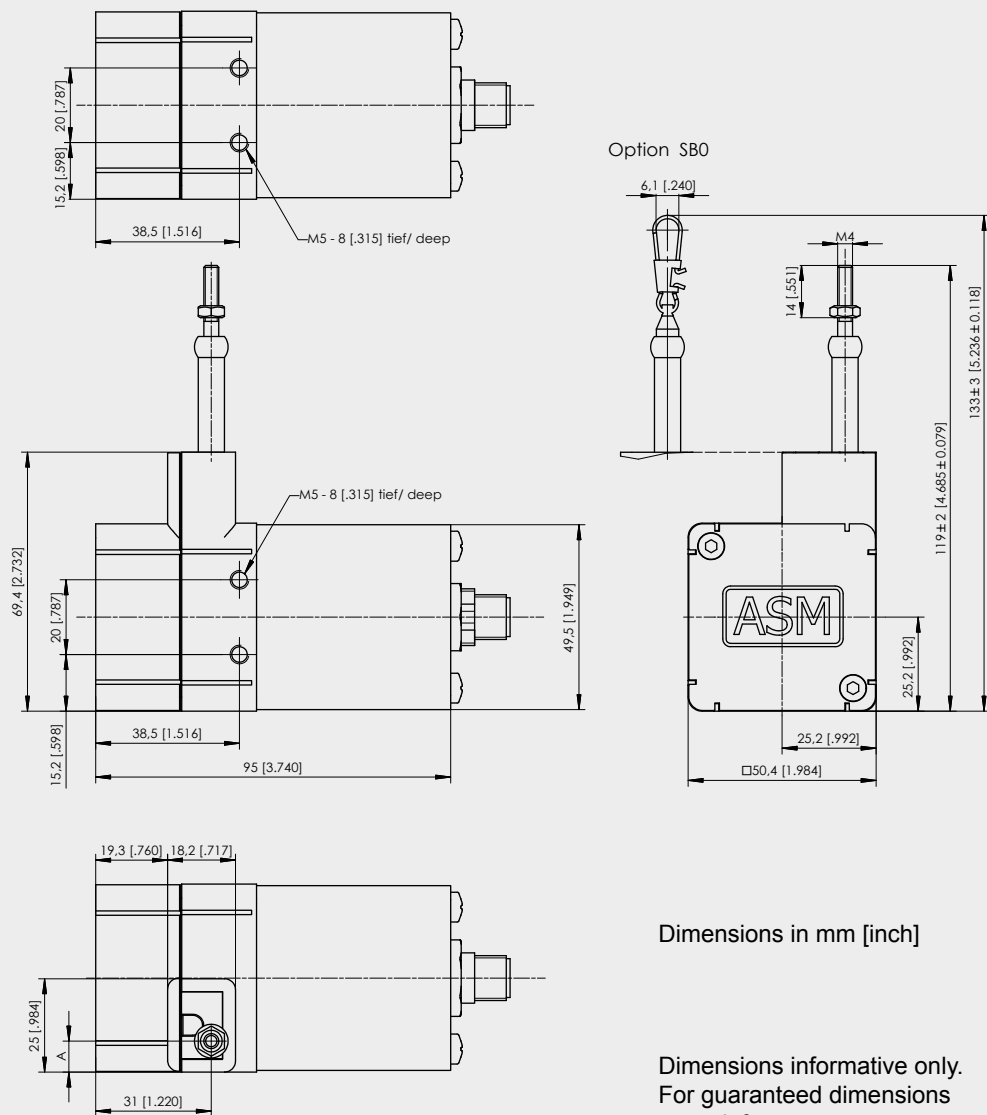
Order example: WS10SG - 1250 - 10V - L10 - M4 - M12

POSIWIRE® WS10SG Analog, SSI or CANopen Output



Cable forces, typical at 20 °C	Measurement range	Max. pull-out force	Min. pull-in force
	[mm]	[N]	[N]
	100	4.7	3.0
	125	4.6	2.4
	375	7.4	3.9
	500	5.5	2.8
	750	7.6	3.8
	1000	5.3	2.9
	1250	4.6	2.4

Outline drawing



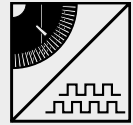
Dimensions in mm	Measurement range	A
	375; 750	12.4
	100; 125; 500; 1000; 1250	8

POSIWIRE® WS10 Incremental Encoder Output



Very compact sensor for industrial applications

- Protection class IP65
- Measurement range 0 ... 1250 mm
- Incremental encoder output



Specifications	Outputs	Incremental encoder output with differential push-pull circuit for reliable data transmission. The output is compatible with TTL and HTL.
	Resolution	10 or 25 pulses per mm (1/40 mm or 1/100 mm with external edge counting mode)
	Linearity	±0.05% f.s.
	Sensing device	Incremental encoder
	Material	Aluminum, stainless steel and plastic; cable: stainless steel
	Protection class	IP65 (with mating connector only)
	Connection	Male 8 pin socket M12
	Weight	Approx. 400 g
	EMC, temperature	Refer to output specification

Order code WS10SG

WS10SG - [] - [] - [] - [] - []

Model name

Measurement range (in mm)

1250

Pulses per mm

10 = 10 pulses per mm

25 = 25 pulses per mm

Other numbers of pulses on request

Output

PP530 = Incremental output 5 ... 30 V

IE41LI = Incremental encoder TTL compatible

IE41HI = Incremental encoder HTL compatible

Cable fixing

M4 = M4 cable fixing

SB0 = Cable clip

Connection

M12 = 8 pin socket M12

Order code connector cable: see page 82

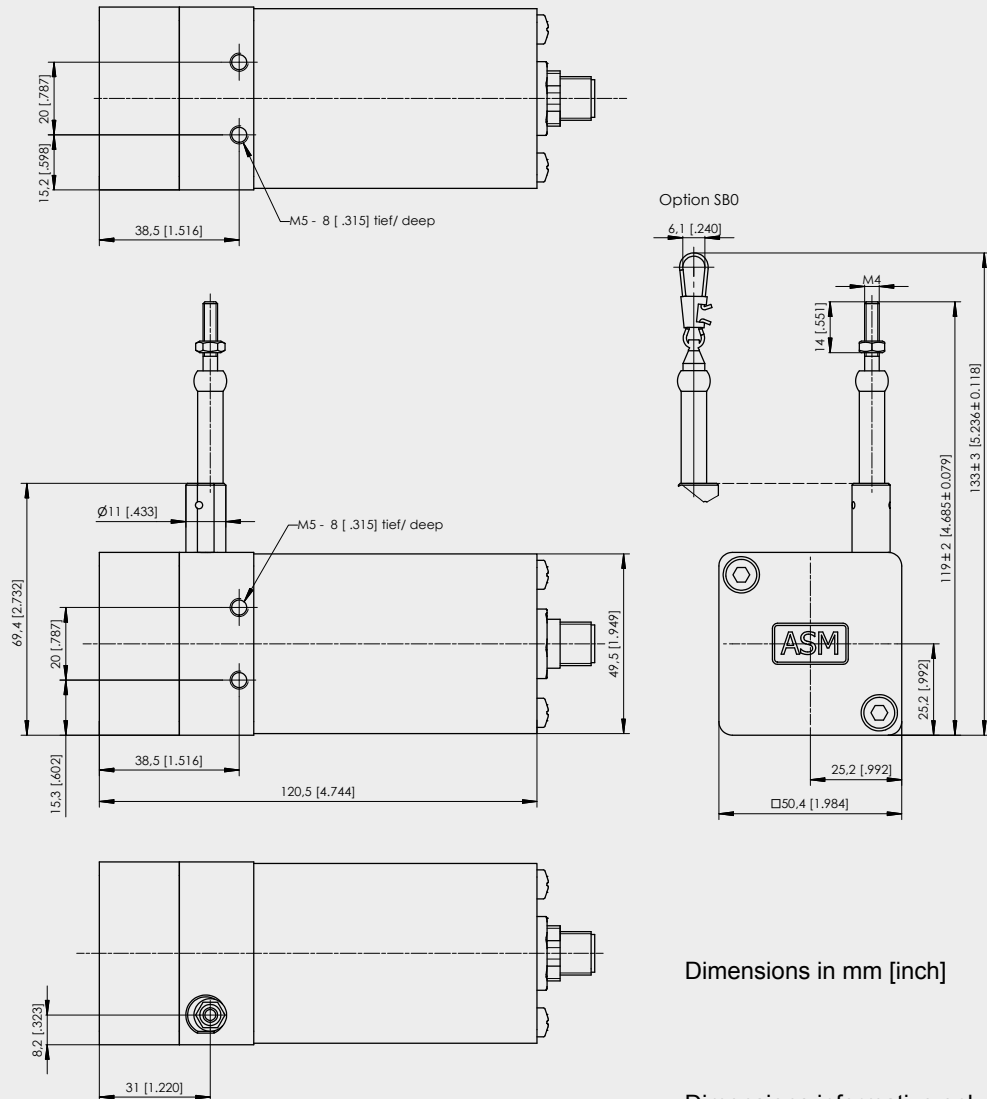
Order example: WS10SG - 1250 - 10 - PP530 - M4 - M12

POSIWIRE® WS10 Incremental Encoder Output



Cable forces, typical at 20 °C	Resolution	Max. pull-out force	Min. pull-in force
	[pulses per mm]	[N]	[N]
	10 / 25	5.8	3.0

Outline drawing



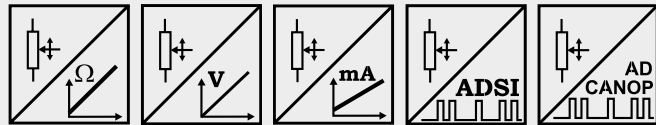
Dimensions informative only.
For guaranteed dimensions
consult factory.

POSIWIRE®
WS10ZG
Analog, SSI or CANopen Output



WS10 in a zinc diecast housing

- Protection class IP65
- Measurement range 0 ... 100 mm to 0 ... 1250 mm
- Analog output or
A/D converted synchronous serial output (SSI) or
A/D converted CANopen output



Specifications	Outputs	Potentiometer 1 kΩ Voltage 0 ... 10 V Current 4 ... 20 mA, 2 or 3 wire Voltage or current output, programmable (PMUV/PMUI) A/D converted synchronous serial interface (SSI) A/D converted CANopen bus
	Resolution	Analog: essentially infinite ADSI16: max. 16 bit f.s.; ADCANOP: 16 bit f.s.
	Linearity	Up to ±0.05% f.s.
	Sensing device	Precision potentiometer
	Material	Zinc diecast, aluminium and stainless steel; cable: stainless steel
	Protection class	IP65 (with mating connector only)
	Connection	Male 8 pin socket M12 (ADCANOP: 5 pin socket)
	Weight	1.1 kg approx.
EMC, temperature	Refer to output specification	

Order code WS10ZG



Model name

Measurement range (in mm)

100 / 125 / 375 / 500 / 750 / 1000 / 1250

Output

- R1K = Potentiometer 1 kΩ
- 10V = 0 ... 10 V signal conditioner
- 420A = 4 ... 20 mA signal conditioner
- 420T = 4 ... 20 mA signal conditioner
- PMUV/PMUI = Programmable 0... 10 V or 4 ... 20 mA signal conditioner
- ADSI16 = A/D converted synchronous serial interface 16 bit (12 or 14 bit opt.)
- ADCANOP = A/D converted CANopen bus

Linearity

L10 = ±0.10 % option: L05 = ±0.05 % L25 = ±0.25 %

Cable fixing

- M4 = M4 cable fixing
- SB0 = Cable clip

Connection

- M12 = 8 pin socket M12 (not for ADCANOP)
- M12/CAN = 5 pin socket M12 (for ADCANOP)

Order code connector cable: see page 82/83

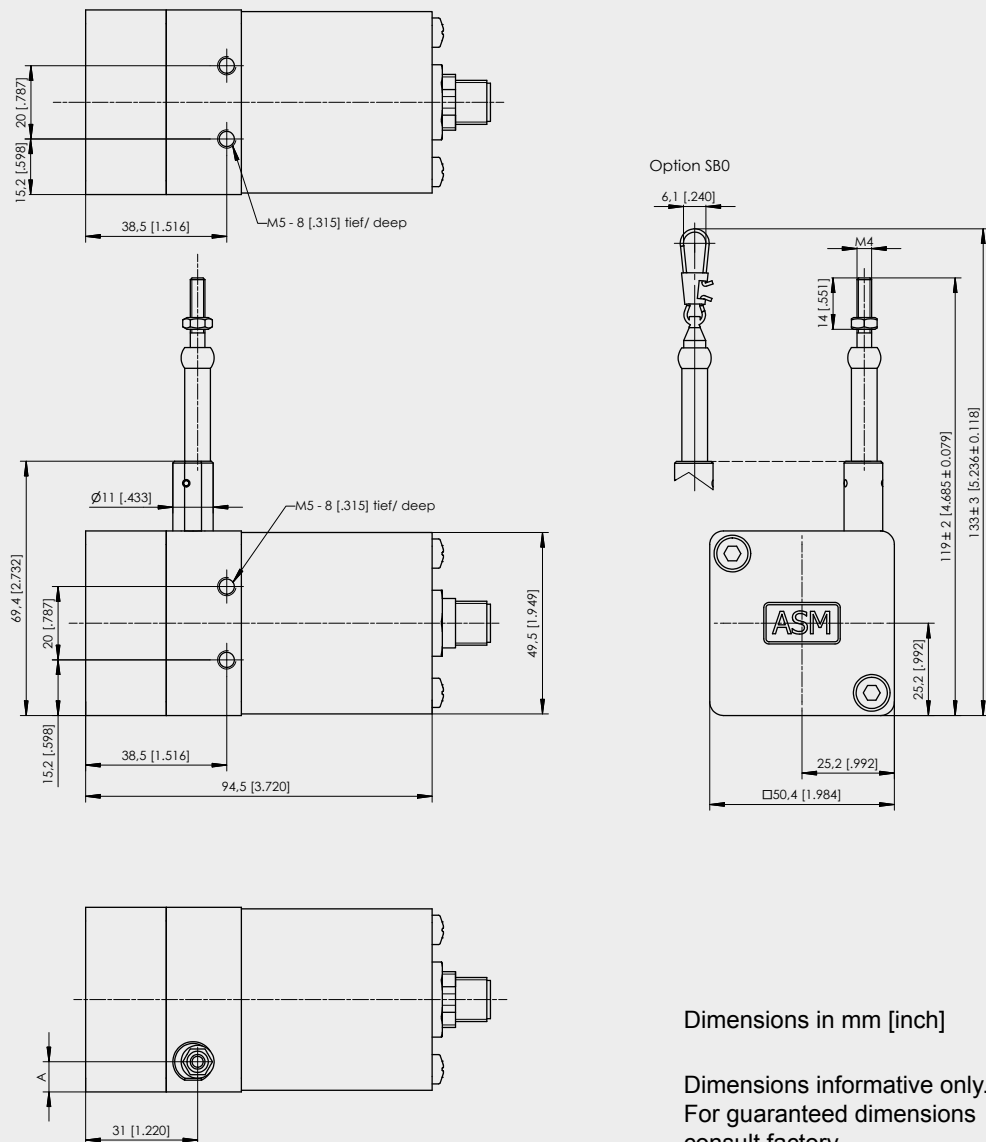
Order example: WS10ZG - 1250 - 10V - L10 - M4 - M12

POSIWIRE® WS10ZG Analog, SSI or CANopen Output



Cable forces, typical at 20 °C	Measurement range	Max. pull-out force	Min. pull-in force
	[mm]	[N]	[N]
	100	4.7	3.0
	125	4.6	2.4
	375	7.4	3.9
	500	5.5	2.8
	750	7.6	3.8
	1000	5.3	2.9
	1250	4.6	2.4

Outline drawing



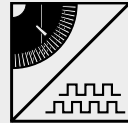
Dimensions in mm	Measurement range	A
	375; 750	12.4
100; 125; 500; 1000; 1250	8	

POSIWIRE®
WS10ZG
Incremental Encoder Output



WS10 in a zinc diecast housing

- Protection class IP65
- Measurement range 0 ... 1250 mm
- Incremental encoder output



Specifications	Outputs	Incremental encoder output for reliable data transmission. The output is compatible with TTL and HTL.
	Resolution	10 or 25 pulses per mm (1/40 mm or 1/100 mm with external edge counting mode)
	Linearity	±0.05% f.s.
	Sensing device	Incremental encoder
	Material	Zinc diecast, aluminum and stainless steel; measuring cable: stainless steel
	Protection class	IP65 (with mating connector only)
	Connection	Male 8 pin socket M12
	Weight	Approx. 1.1 kg
EMC, temperature	Refer to output specification	

Order code WS10ZG



Model name

Measurement range (in mm)

1250

Pulses per mm

10 = 10 pulses per mm

25 = 25 pulses per mm

Other numbers of pulses on request

Output

PP530 = Incremental output 5 ... 30 V

IE41LI = Incremental encoder TTL compatible

IE41HI = Incremental encoder HTL compatible

Cable fixing

M4 = M4 cable fixing

SB0 = Cable clip

Connection

M12 = 8 pin socket M12

Order code connector cable: see page 82

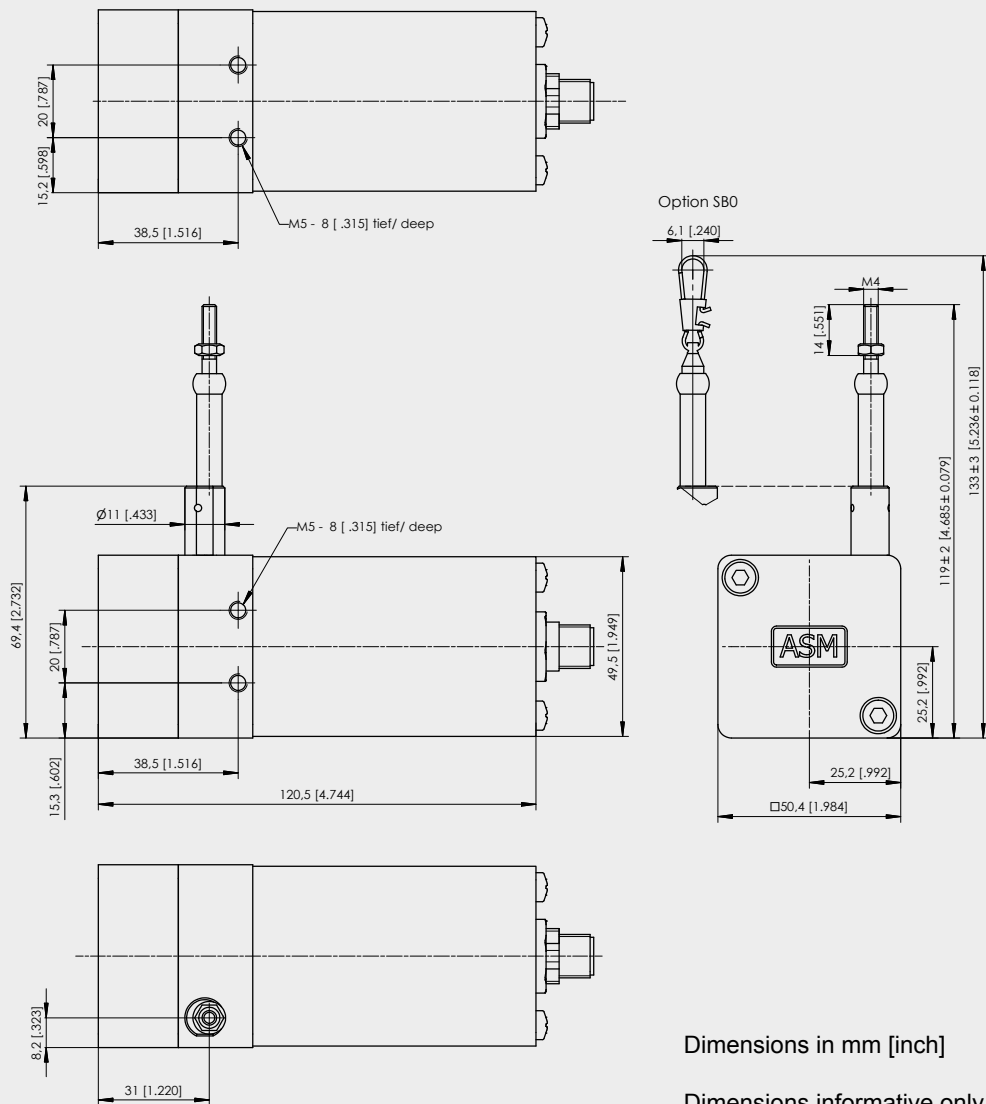
Order example: WS10ZG - 1250 - 10 - PP530 - M4 - M12

POSIWIRE® WS10ZG Incremental Encoder Output



Cable forces, typical at 20 °C	Resolution	Max. pull-out force	Min. pull-in force
	[pulses per mm]	[N]	[N]
	10 / 25	5.8	3.0

Outline drawing



Dimensions in mm [inch]

Dimensions informative only.
For guaranteed dimensions
consult factory.

POSIWIRE®

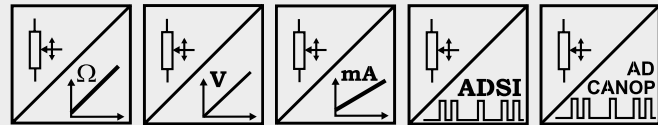
WS10

Analog, SSI or CANopen Output



Very compact sensor for industrial applications

- Protection class IP65
- Measurement range 0 ... 100 mm to 0 ... 1250 mm
- Analog output or A/D converted synchronous serial output (SSI) or A/D converted CANopen output



Specifications	Outputs	Potentiometer 1 kΩ Voltage 0 ... 10 V Current 4 ... 20 mA, 2 or 3 wire Voltage or current output, programmable (PMUV/PMUI) A/D converted synchronous serial interface (SSI) A/D converted CANopen bus
	Resolution	Analog: essentially infinite ADSI16: max. 16 bit f.s. ADCANOP: 16 bit f.s.
	Linearity	Up to ±0.05% f.s.
	Sensing device	Precision potentiometer
	Material	Aluminum and stainless steel; cable: stainless steel
	Protection class	IP65 (with mating connector only)
	Connection	Male 8 pin socket M12 (ADCANOP: 5 pin socket)
	Weight	800 g approx.
	EMC, temperature	Refer to output specification

Order code WS10

Model name

Measurement range (in mm)

100 / 125 / 375 / 500 / 750 / 1000 / 1250

Output

R1K = Potentiometer 1 kΩ
 10V = 0 ... 10 V signal conditioner
 420A = 4 ... 20 mA signal conditioner
 420T = 4 ... 20 mA signal conditioner
 PMUV/PMUI = Programmable 0... 10 V or 4 ... 20 mA signal conditioner
 ADSI16 = A/D converted synchronous serial interface 16 bit (12 or 14 bit opt.)
 ADCANOP = A/D converted CANopen bus

Linearity

L10 = ±0.10 % option: L05 = ±0.05 % L25 = ±0.25 %

Cable fixing

M4 = M4 cable fixing
 SB0 = Cable clip

Connection

M12 = 8 pin socket M12 (not for ADCANOP)
 M12/CAN = 5 pin socket M12 (only for ADCANOP)



Order code connector cable: see page 82/83

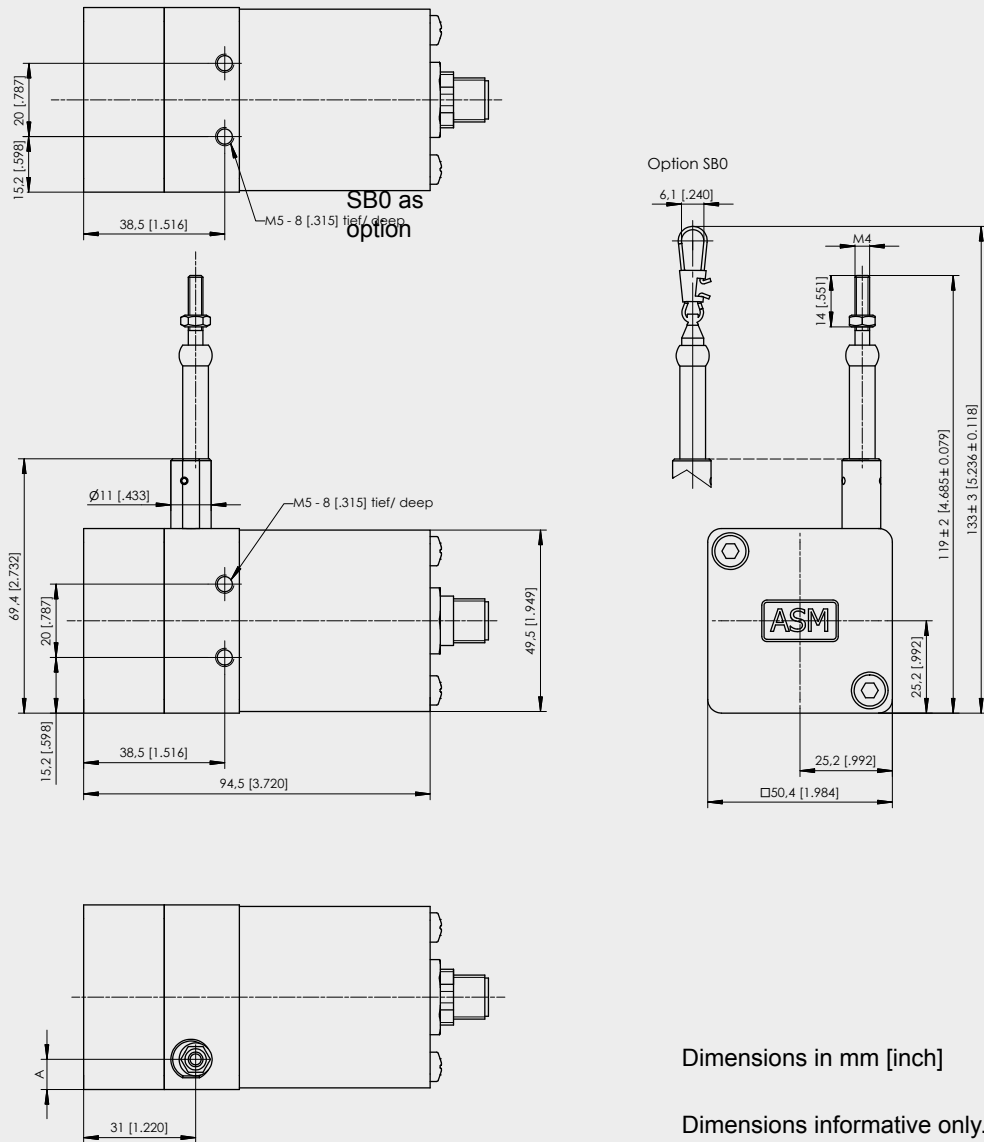
Order example: **WS10 - 1250 - 10V - L10 - M4 - M12**

POSIWIRE®
WS10
Analog, SSI or CANopen Output



Cable forces, typical at 20 °C	Measurement range	Max. pull-out force	Min. pull-in force
	[mm]	[N]	[N]
	100	4.7	3.0
	125	4.6	2.4
	375	7.4	3.9
	500	5.5	2.8
	750	7.6	3.8
	1000	5.3	2.9
	1250	4.6	2.4

Outline drawing



Dimensions in mm [inch]

Dimensions informative only.
 For guaranteed dimensions
 consult factory.

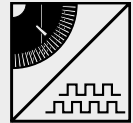
Dimensions in mm	Measurement range	A
	375; 750	12.4
	100; 125; 500; 1000; 1250	8

POSIWIRE®
WS10
Incremental Encoder Output



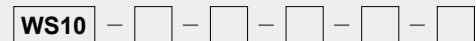
Very compact sensor for industrial applications

- Protection class IP65
- Measurement range 0 ... 1250 mm
- Incremental encoder output



Specifications	Outputs	Incremental encoder output reliable data transmission. The output is compatible with TTL and HTL.
	Resolution	10 or 25 pulses per mm (1/40 mm or 1/100 mm with external edge counting mode)
	Linearity	±0.05% f.s.
	Sensing device	Incremental encoder
	Material	Aluminum and stainless steel; cable: stainless steel
	Protection class	IP65 (with mating connector only)
	Connection	Male 8 pin socket M12
	Weight	Approx. 800 g
EMC, temperature	Refer to output specification	

Order code WS10



Model name

Measurement range (in mm)

1250

Pulses per mm

10 = 10 pulses per mm

25 = 25 pulses per mm

Other numbers of pulses on request

Output

PP530 = Incremental output 5 ... 30 V

IE41LI = Incremental encoder TTL compatible

IE41HI = Incremental encoder HTL compatible

Cable fixing

M4 = M4 cable fixing

SB0 = Cable clip

Connection

M12 = 8 pin socket M12

Order code connector cable: see page 82

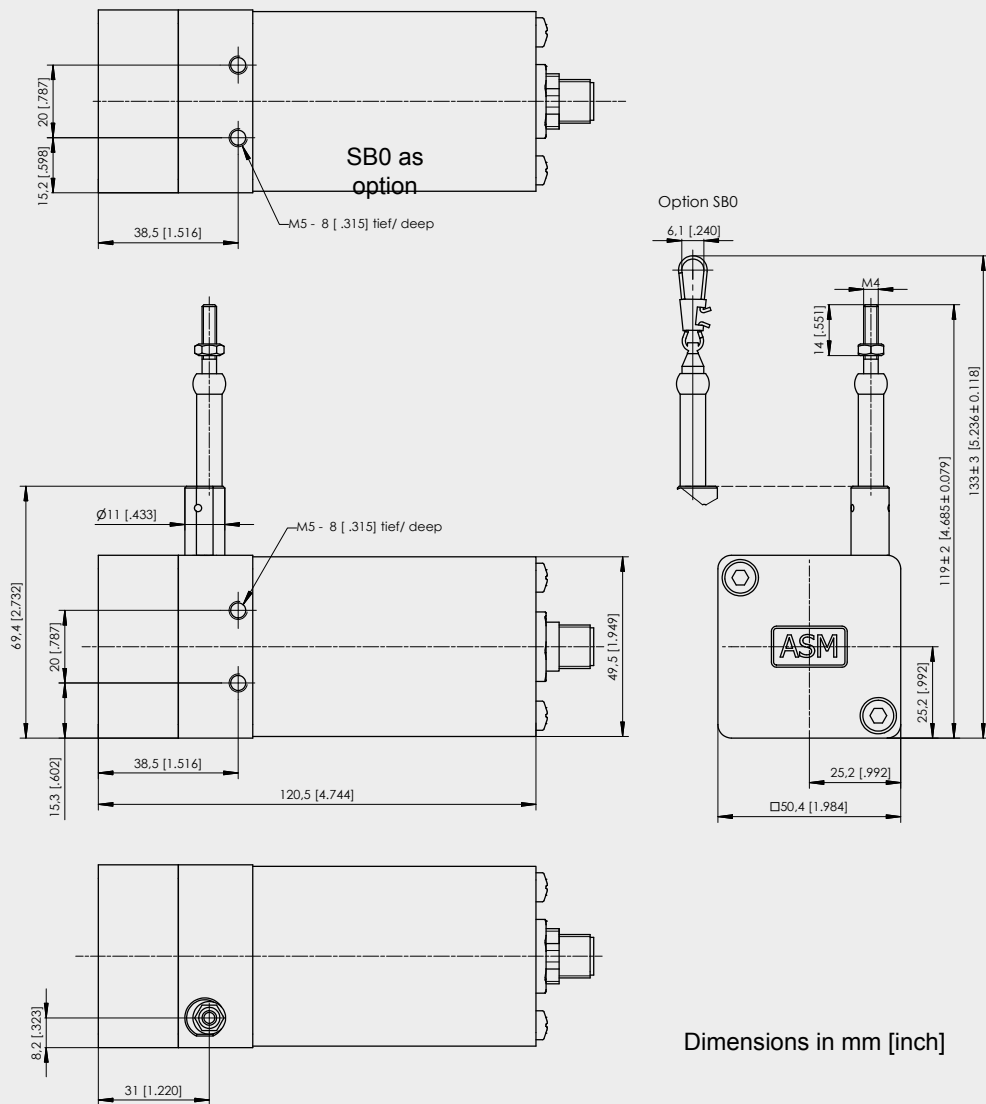
Order example: WS10 - 1250 - 10 - PP530 - M4 - M12

POSIWIRE® WS10 Incremental Encoder Output



Cable forces, typical at 20 °C	Resolution	Max. pull-out force	Min. pull-in force
	[pulses per mm]	[N]	[N]
	10 / 25	5.8	3.0

Outline drawing



Dimensions in mm [inch]

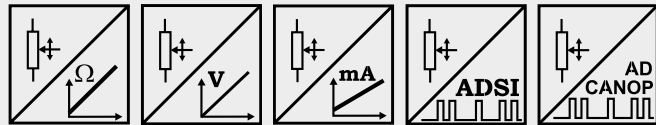
Dimensions informative only.
For guaranteed dimensions
consult factory.

POSIWIRE® WS17KT Analog, SSI or CANopen Output



Compact sensor for medium ranges

- Protection class IP64 (as option IP66)
- Measurement range 0 ... 1500 mm to 0 ... 15000 mm
- Analog output or
A/D converted synchronous serial output (SSI) or
A/D converted CANopen output



Specifications	Outputs	Potentiometer 1 kΩ Voltage 0 ... 10 V Current 4 ... 20 mA, 2 or 3 wire Voltage or current output, programmable (PMUV/PMUI) A/D converted synchronous serial interface (SSI) A/D converted CANopen bus
	Resolution	Analog: essentially infinite ADSI16: max. 16 bit f.s. ADCANOP: 16 bit f.s.
	Linearity	Up to ±0.05% f.s.
	Sensing device	Precision potentiometer
	Material	Aluminum and stainless steel; cable: stainless steel
	Protection class	IP64 (with mating connector only), IP66 as option
	Connection	Male 8 pin socket M12 (ADCANOP: 5 pin socket)
	Weight	See table next page
	EMC, temperature	Refer to output specification

Order code WS17KT

WS17KT - [] - [] - [] - [] - []

Model name

Measurement range (in mm)

1500 / 2000 / 2500 / 3000 / 4000 / 5000 / 6250 / 10000 / 12500 / 15000

Output

R1K = Potentiometer 1 kΩ
 10V = 0 ... 10 V signal conditioner
 420A = 4 ... 20 mA signal conditioner
 420T = 4 ... 20 mA signal conditioner
 PMUV/PMUI = Programmable 0... 10 V or 4 ... 20 mA signal conditioner
 ADSI16 = A/D converted synchronous serial interface 16 bit (12 or 14 bit opt.)
 ADCANOP = A/D converted CANopen bus

Linearity

L10 = ±0.10 % option: L05 = ±0.05 % L25 = ±0.25 %

Cable fixing

M4 = M4 cable fixing
 SB0 = Cable clip

Connection

M12 = 8 pin socket M12 (not for ADCANOP)
 M12/CAN = 5 pin socket M12 (only for ADCANOP)

Order code connector cable: see page 82/83

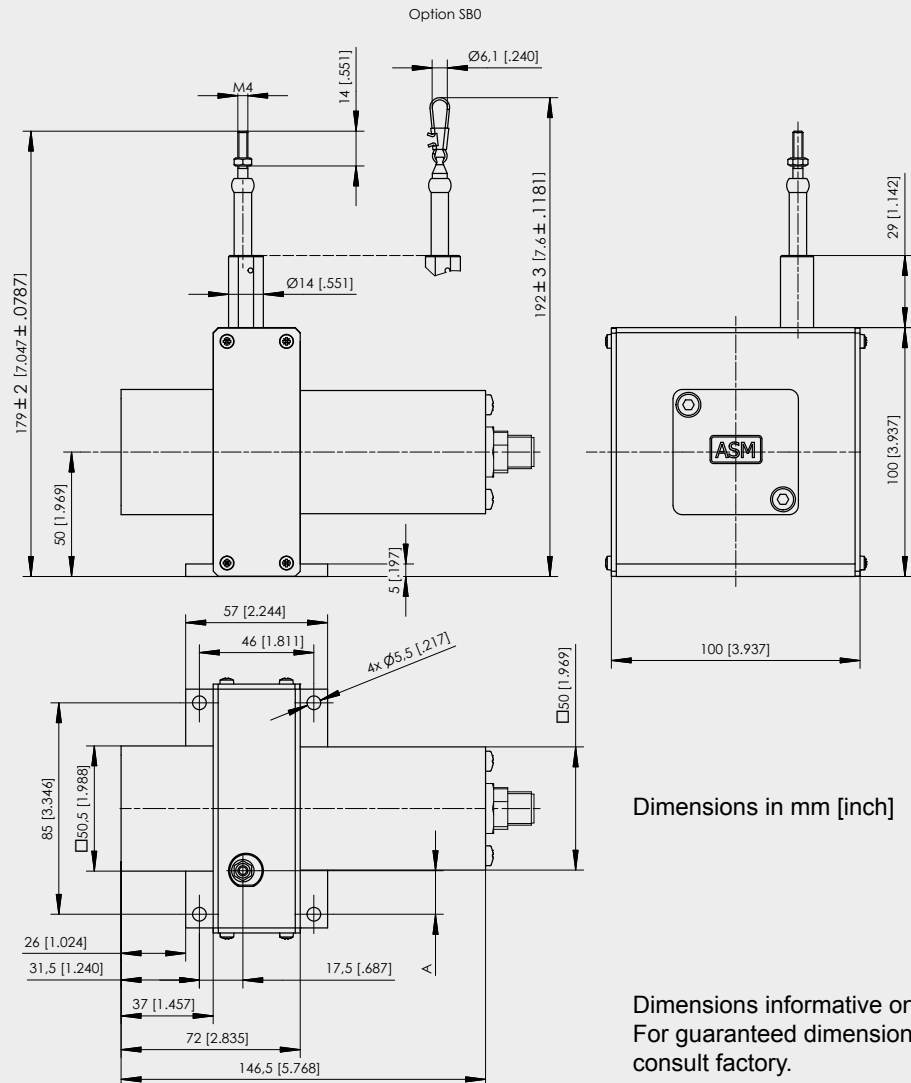
Order example: WS17KT - 2500 - 420T - L10 - M4 - M12

POSIWIRE®
WS17KT
Analog, SSI or CANopen output



Cable forces, typical at 20 °C	Measurement range	Weight (approx.)	Max. pull-out force	Min. pull-in force
	[mm]	[kg]	[N]	[N]
	1500	1.4	11.0	6.2
	2000	1.4	8.5	4.8
	2500	1.5	5.5	3.5
	3000	2.9	14.5	10.3
	4000	2.9	12.7	9.1
	5000	5.3	13.0	9.3
	6250	5.5	10.2	7.3
	10000	6.0	16.5	9.1
	12500	6.0	16.5	9.1
	15000	6.0	16.5	9.1

Outline drawing
WS17KT-1500 /
2000 / 2500

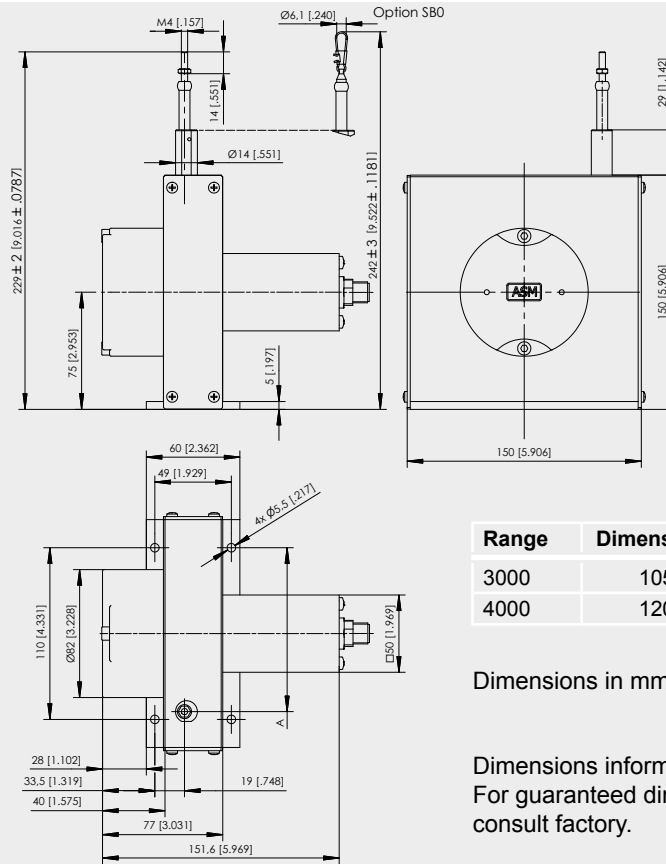


Dimensions in mm	Measurement range	Dimension A
	1500	17.5
2000	9.5	
2500	2.5	

POSIWIRE®
WS17KT
Analog, SSI or CANopen Output



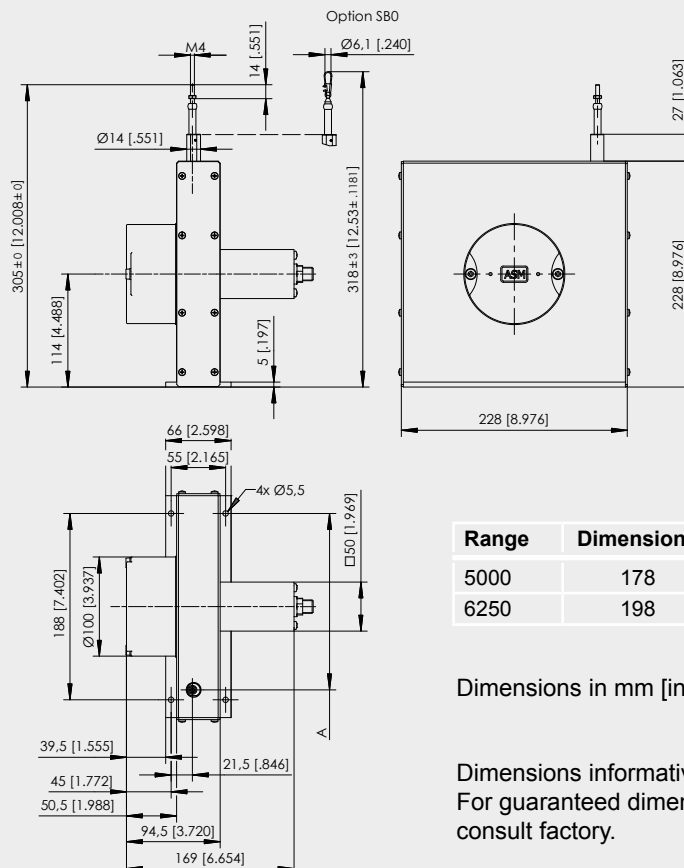
Outline drawing
WS17KT-3000 / 4000



Dimensions in mm [inch]

Dimensions informative only.
 For guaranteed dimensions
 consult factory.

Outline drawing
WS17KT-5000 / 6250



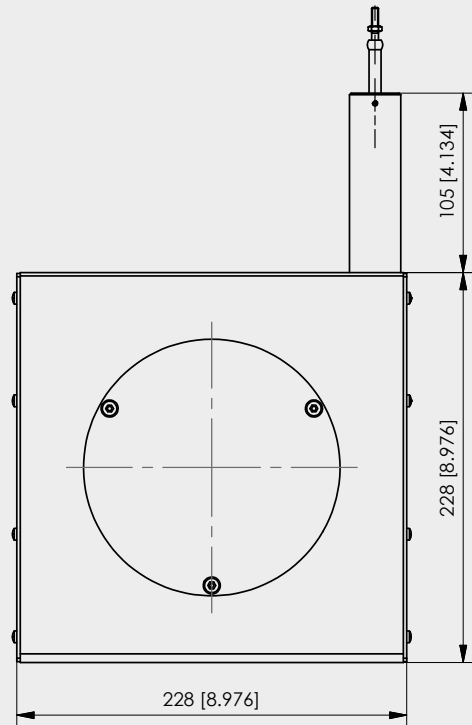
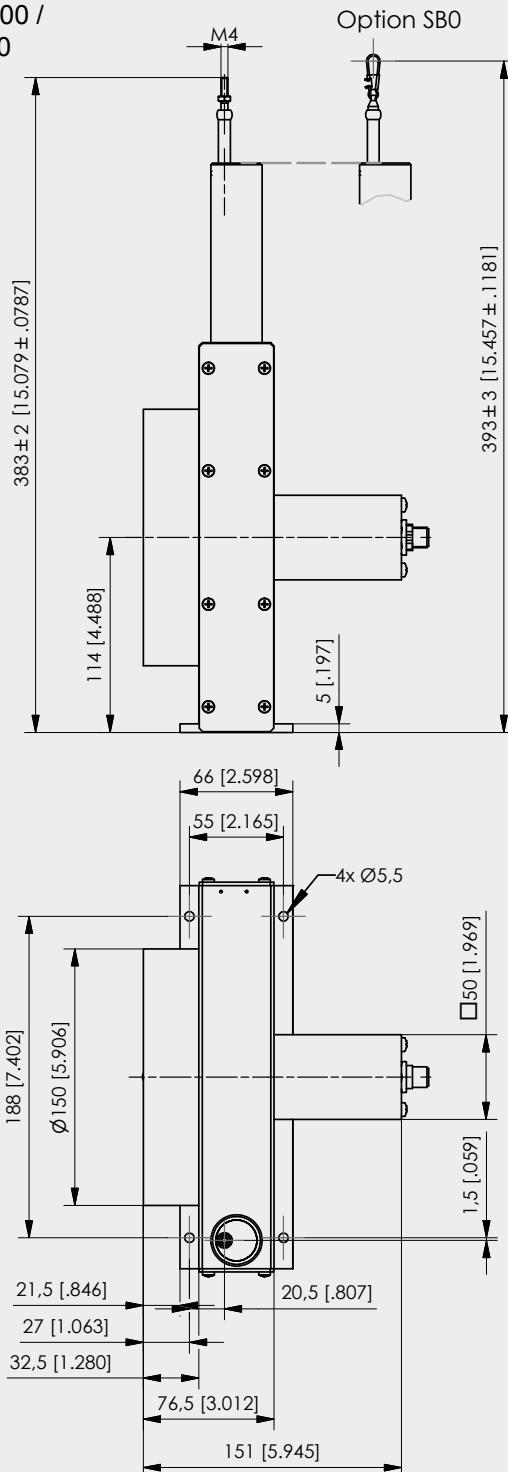
Dimensions in mm [inch]

Dimensions informative only.
 For guaranteed dimensions
 consult factory.

POSIWIRE®
WS17KT
Analog, SSI or CANopen output



Outline drawing
 WS17KT-10000 /
 12500 / 15000



Dimensions in mm [inch]

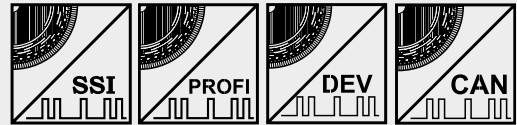
Dimensions informative only.
 For guaranteed dimensions consult factory.

POSIWIRE® WS58C Absolute Encoder Output



Very compact position sensor

- Measuring range 0 ... 2500 mm
- With absolute encoder output
- High precision linearity up to $\pm 0.01\%$ full scale



Specifications		
Output		See order code
Resolution for 12 bit/revolution (4096 steps/revolution)		0.04 mm Distance/revolution 163.84 mm
Linearity		$\pm 0.05\%$ f.s.; $\pm 0.01\%$ f.s. as option
Sensing device		Absolute encoder
Material		Aluminium and stainless steel; cable: stainless steel
Protection class		IP50 (IP64 as option), depend on the encoder
Connection		Depend on the encoder type: connector or bus cover
Weight		0.6 kg max., depending on the encoder
EMC, temperature		Refer to output specification

Order code WS58C

WS58C - [] - [] - [] - []

Model name

Measurement range (in mm)

2500

Output

HSSI = Absolute encoder with synchronous serial interface (SSI)

HPROF = Absolute encoder with Profibus interface

HDEV = Absolute encoder with DeviceNet interface

HCAN = Absolute encoder with CAN interface

HCANOP = Absolute encoder with CANopen interface

Linearity (option)

L01 = $\pm 0.01\%$

Cable fixing

M4 = M4 cable fixing

SB0 = Cable clip

Order code mating connector

HSSI: **CONN-CONIN-12F-G**

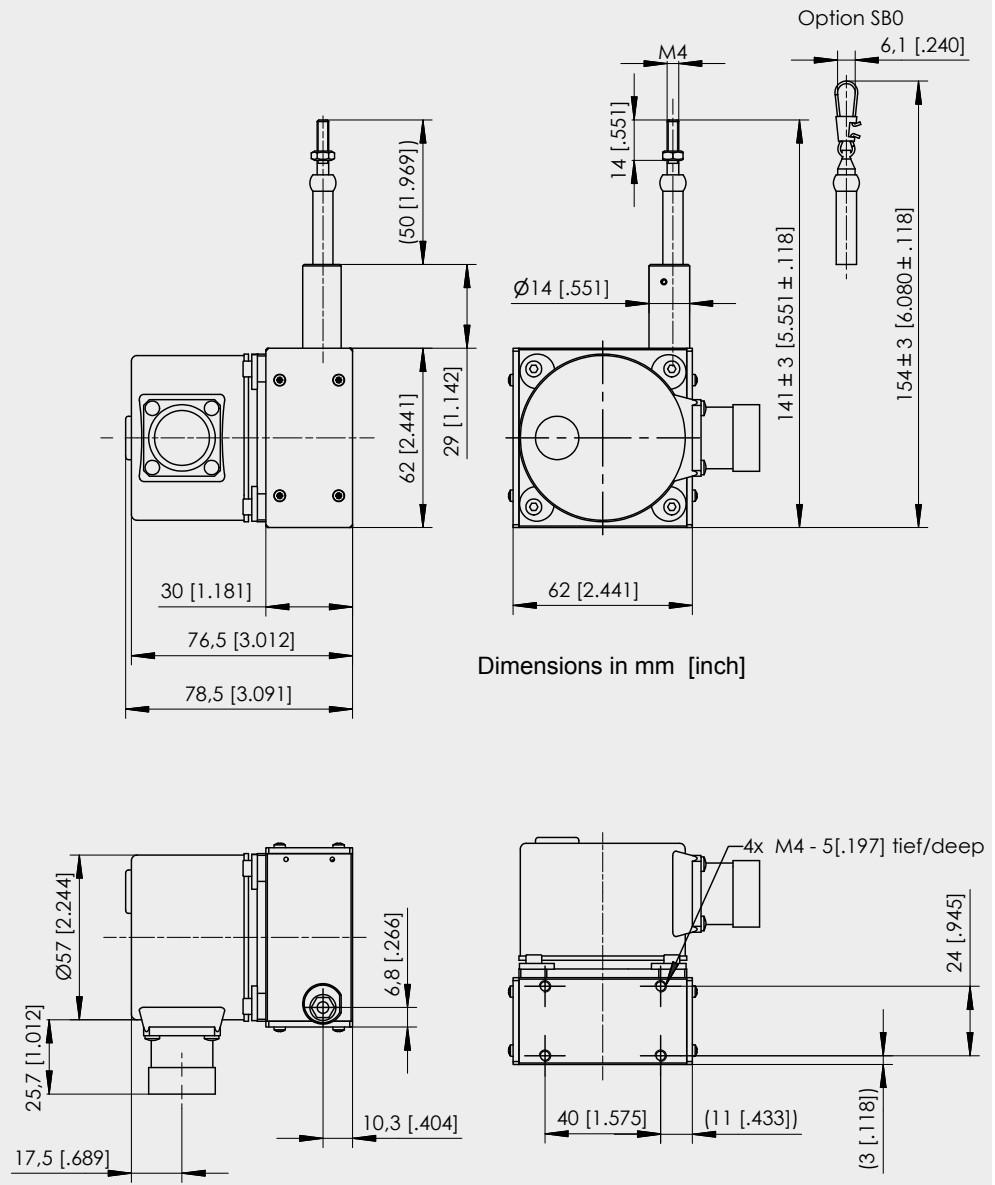
Order example: WS58C - 2500 - HSSI - M4

POSIWIRE®
WS58C
Absolute Encoder Output



Cable forces typical at 20 °C	Range	Max. pull-out force	Min. pull-in force
	[mm]	[N]	[N]
	2500	4.0	16

**Outline drawing
HSSI**

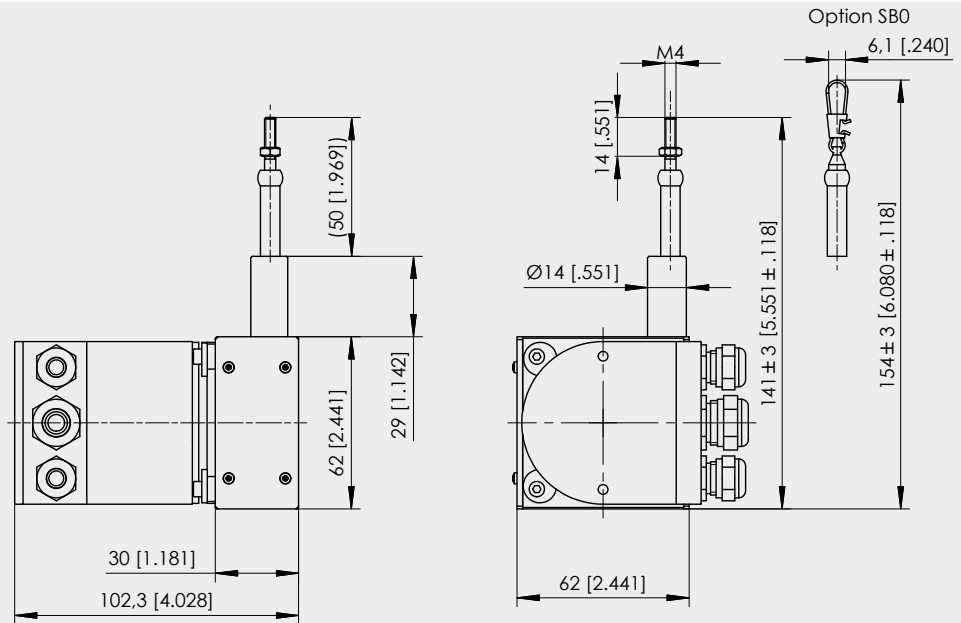


Dimensions informative only.
For guaranteed dimensions consult factory.

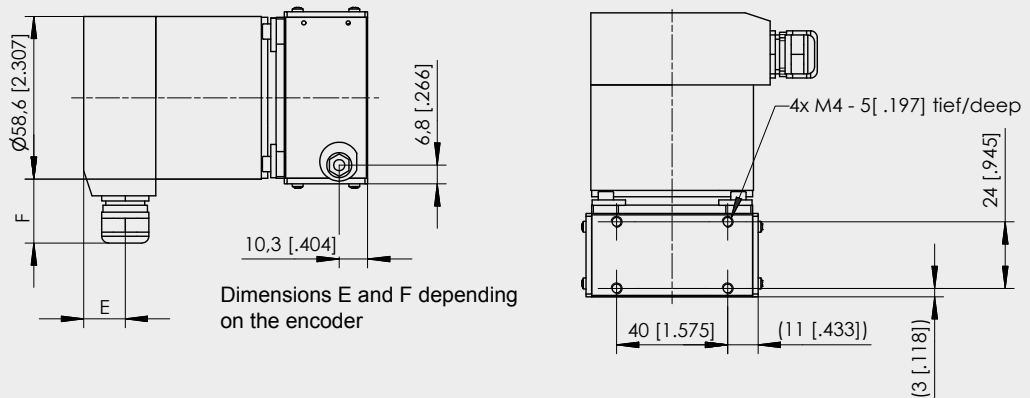
POSIWIRE®
WS58C
Absolute Encoder Output



Outline drawing
 HPROF/HDEV/
 HCAN/HCANOP

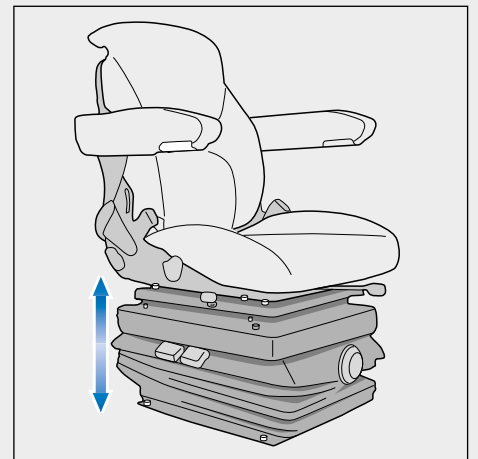
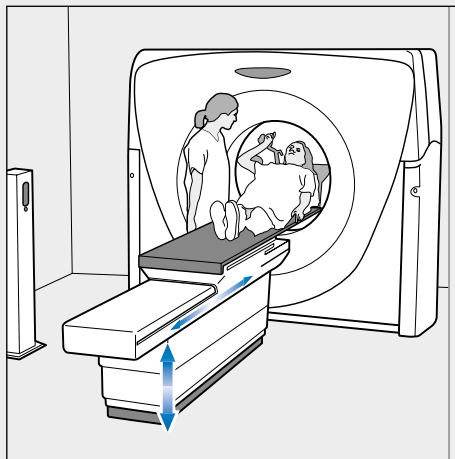
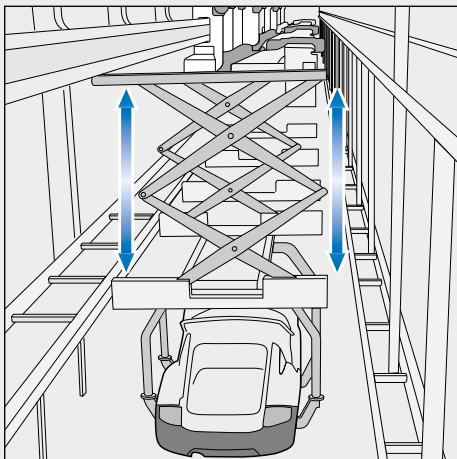
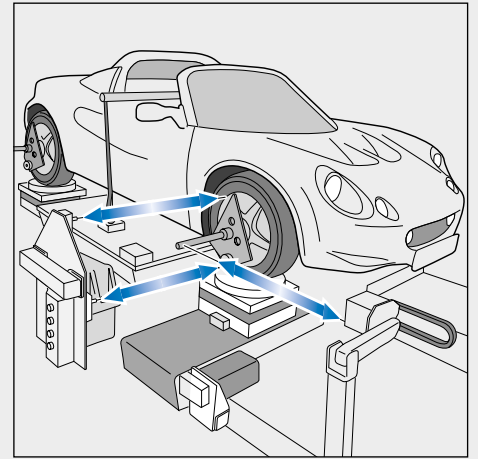
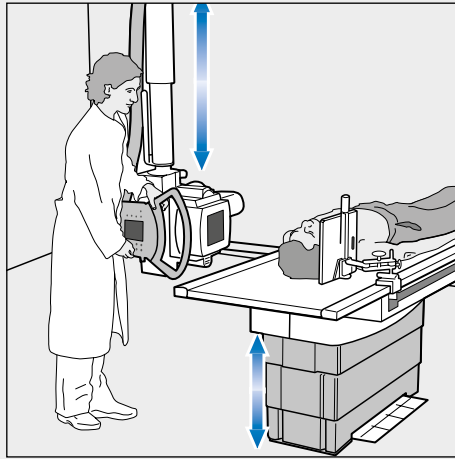
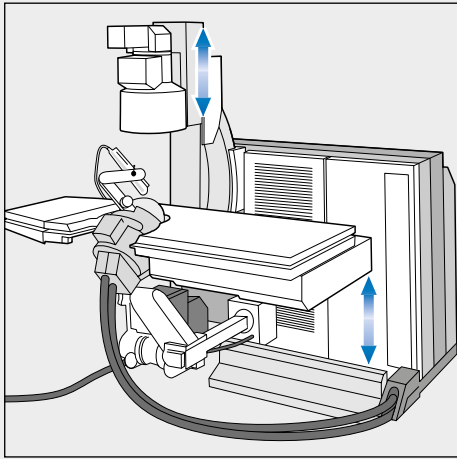
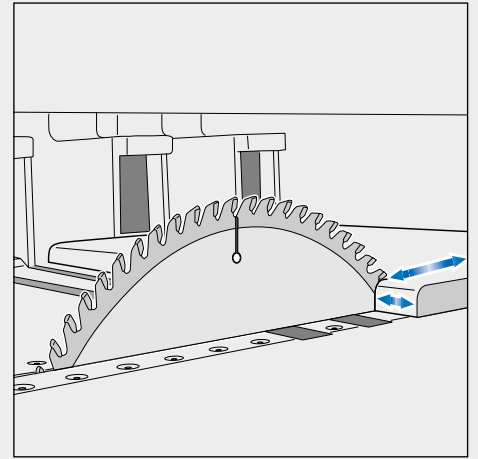
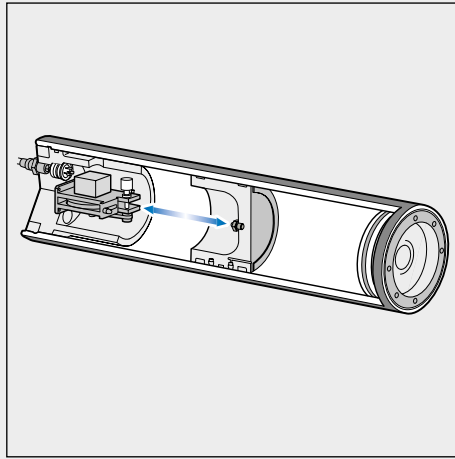
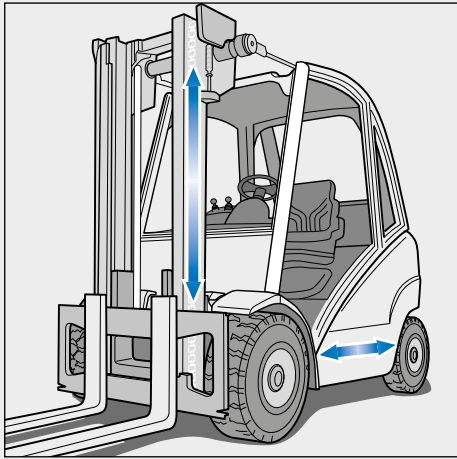
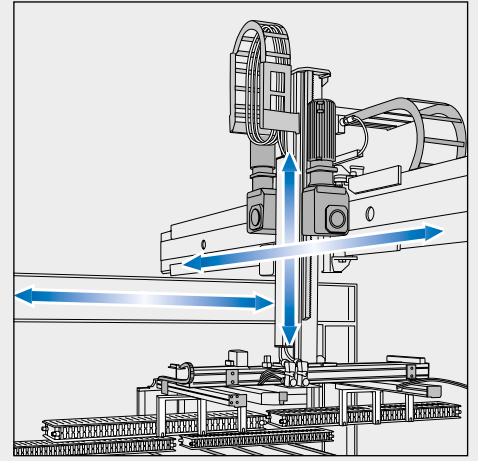
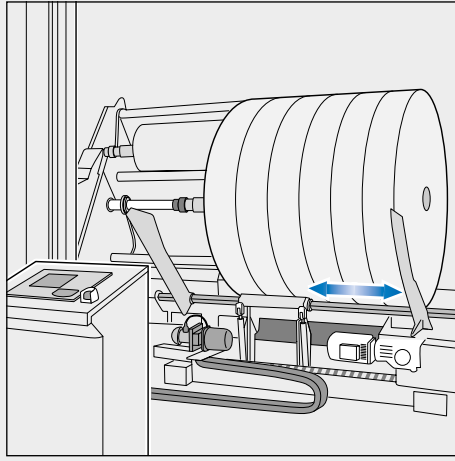
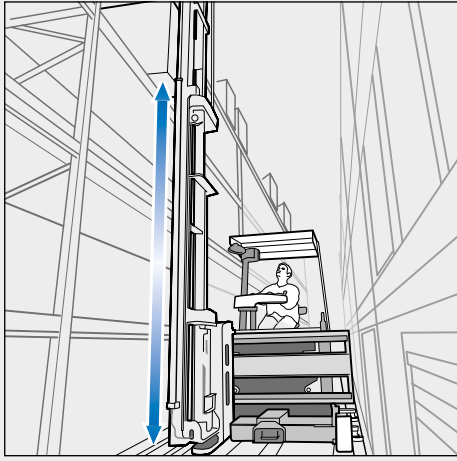


Dimensions in mm [inch]



Dimensions informative only.
 For guaranteed dimensions consult factory.

Applications for Position Sensors

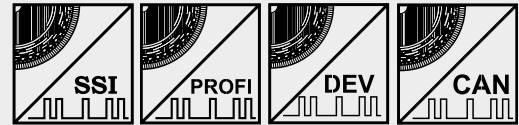


POSIWIRE®
WS19KT
Absolute Encoder Output



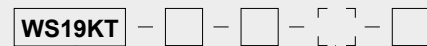
Robust Sensor with heavy duty encoder

- Protection class IP64
- Measurement range 0 ... 2000 mm to 0 ... 15000 mm
- Absolute encoder output



Specifications	Outputs	See order code		
	Resolution for 12 bit per revolution (4096 steps/revolution)	WS19KT-2000 WS19KT-3000 WS19KT-5000 WS19KT-8000 WS19KT-15000	Resolution 0.04 mm 0.063 mm 0.10 mm 0.162 mm 0.146 mm	Dist./rev. 163.84 mm 260.09 mm 409.60 mm 667.90 mm 600.00 mm
Linearity	±0.05% f.s.; ±0.01% f.s. as option			
Sensing device	Absolute encoder			
Material	Aluminum and stainless steel; cable: stainless steel			
Protection class	IP64			
Connection	Depend on the encoder type: connector or bus cover			
Weight	See table page 28			
EMC, temperature	Refer to output specification			

Order code WS19KT



Model name

Measurement range (in mm)

2000 / 3000 / 5000 / 8000 / 15000

Outputs

- HSSI = Absolute encoder with synchronous serial output (SSI)
- HPROF = Absolute encoder with Profibus interface
- HINT = Absolute encoder with Interbus interface
- HDEV = Absolute encoder with DeviceNet interface
- HCAN = Absolute encoder with CAN interface
- HCANOP = Absolute encoder with CANopen interface

Linearity (option)

L01 = ±0.01% f.s.

Cable fixing

- M4 = M4 cable fixing
- SB0 = Cable clip

Order code mating connector

HSSI: **CONN-CONIN-12F-G**

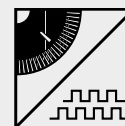
Order example: WS19KT - 3000 - HSSI - M4

POSIWIRE® WS19KT Incremental Encoder Output



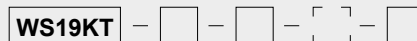
Robust Sensor with heavy duty encoder

- Protection class IP64
- Measurement range 0 ... 2000 mm to 0 ... 15000 mm
- Incremental encoder output



Specifications	Outputs	Incremental output TTL or HTL compatible
	Resolution for 12 bit per revolution (4096 steps/revolution)	WS19KT-2000 25 pulses WS19KT-3000 15.75 pulses WS19KT-5000 10 pulses WS19KT-8000 6.13 pulses WS19KT-15000 6.83 pulses
Linearity	±0.05% f.s.; ±0.01% f.s. as option	
Sensing device	Incremental encoder	
Material	Aluminum and stainless steel; cable: stainless steel	
Protection class	IP64	
Connection	Male 12 pin socket	
Weight	See table page 28	
EMC, temperature	Refer to output specification	

Order code WS19KT



Model name

Measurement range (in mm)

2000 (smaller measurement ranges included) / 3000 / 5000 / 8000 / 15000

Outputs

LD5VC = Incremental encoder TTL compatible

PP24VC = Incremental encoder HTL compatible

Linearity (option)

L01 = ±0.01% f.s.

Cable fixing

M4 = M4 cable fixing

SB0 = Cable clip

Order code mating connector

CONN-CONIN-12F-G

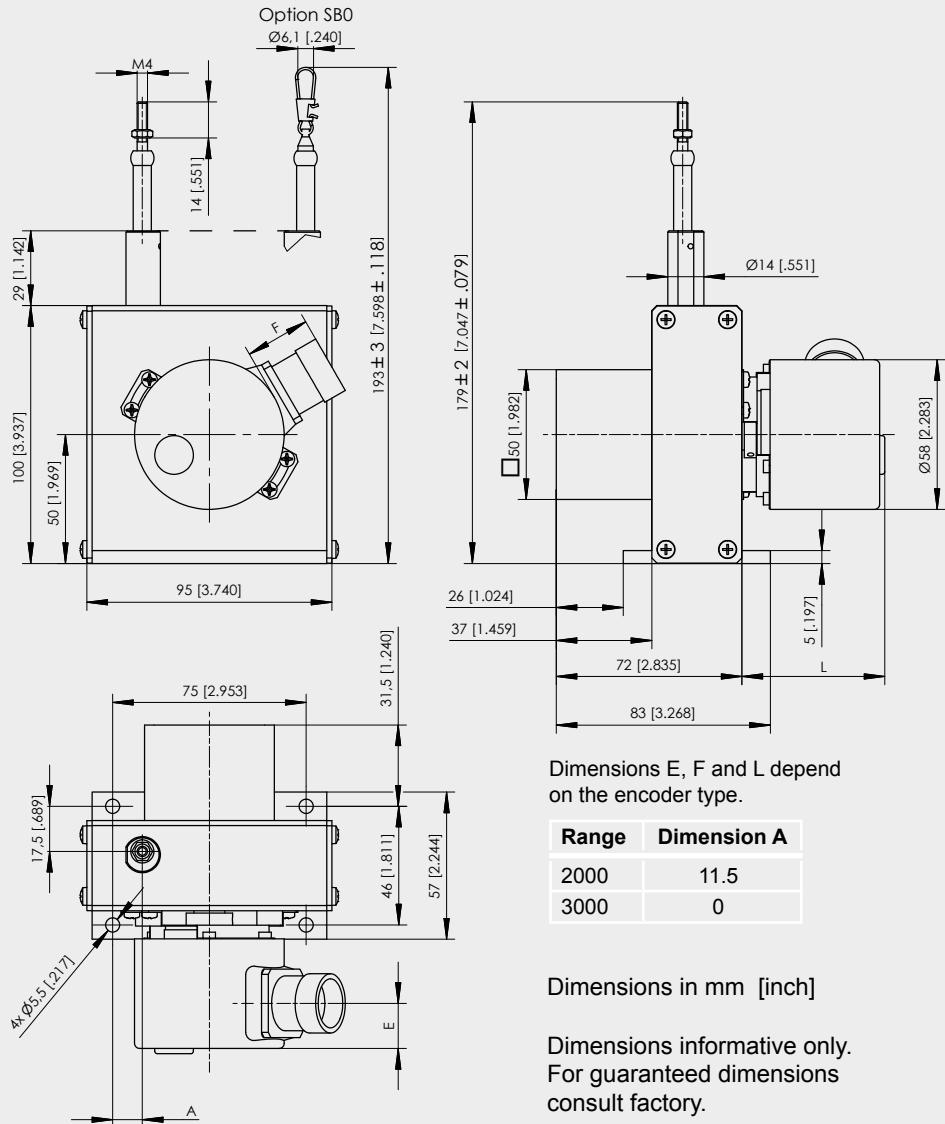
Order example: WS19KT - 5000 - LD5VC - M4

POSIWIRE® WS19KT Absolute or Incremental Encoder Output



Cable forces, typical at 20 °C	Range	Weight (approx.)	Max. pull-out force	Min. pull-in force
	[mm]	[kg]	[N]	[N]
	2000	1.3	11.0	6.0
	3000	1.6	8.1	4.9
	5000	3.0	12.0	9.0
	8000	5.6	10.5	6.8
	15000	6.1	16.5	9.1

Outline drawing WS19KT-2000 / 3000

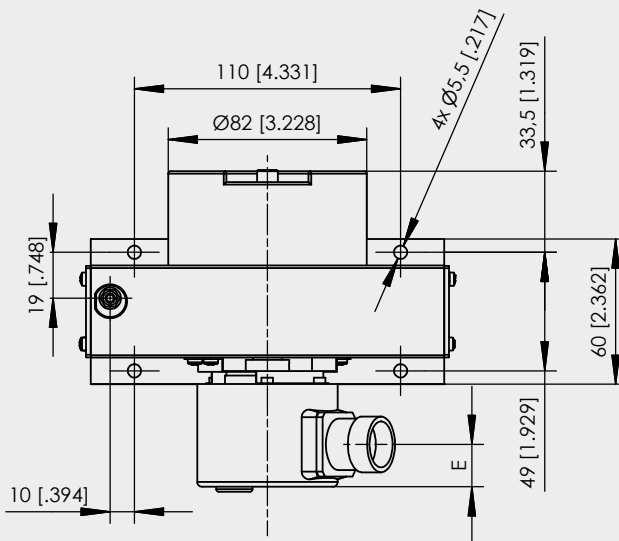
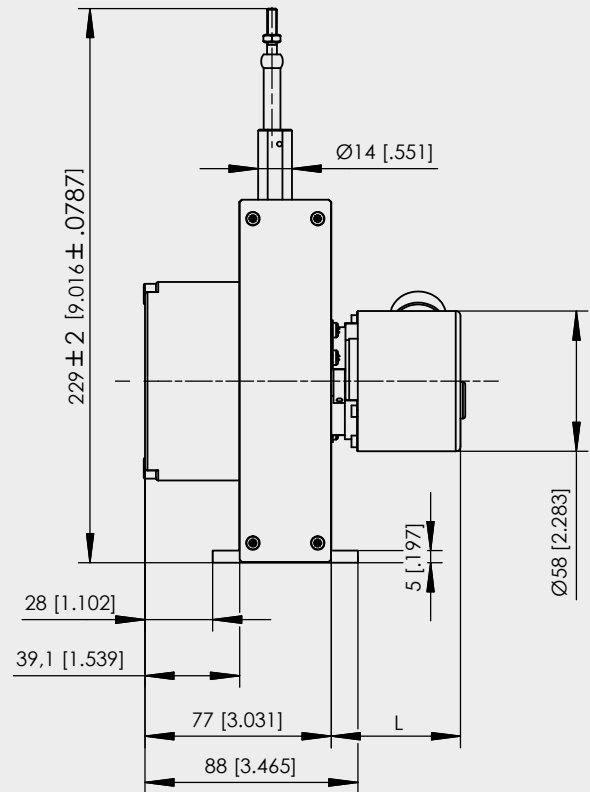
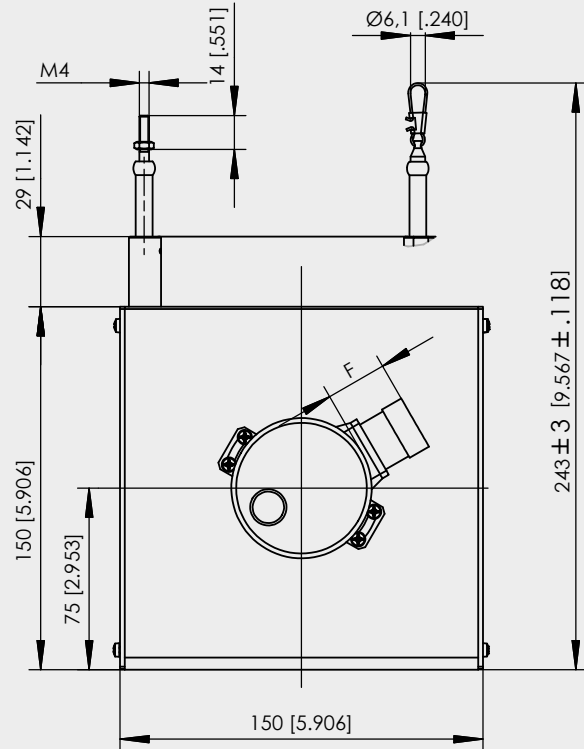


POSIWIRE®
WS19KT
Absolute or Incremental Encoder Output



Outline drawing
 WS19KT-5000

Option SB0



Dimensions E, F and L depend on the encoder type.

Dimensions in mm [inch]

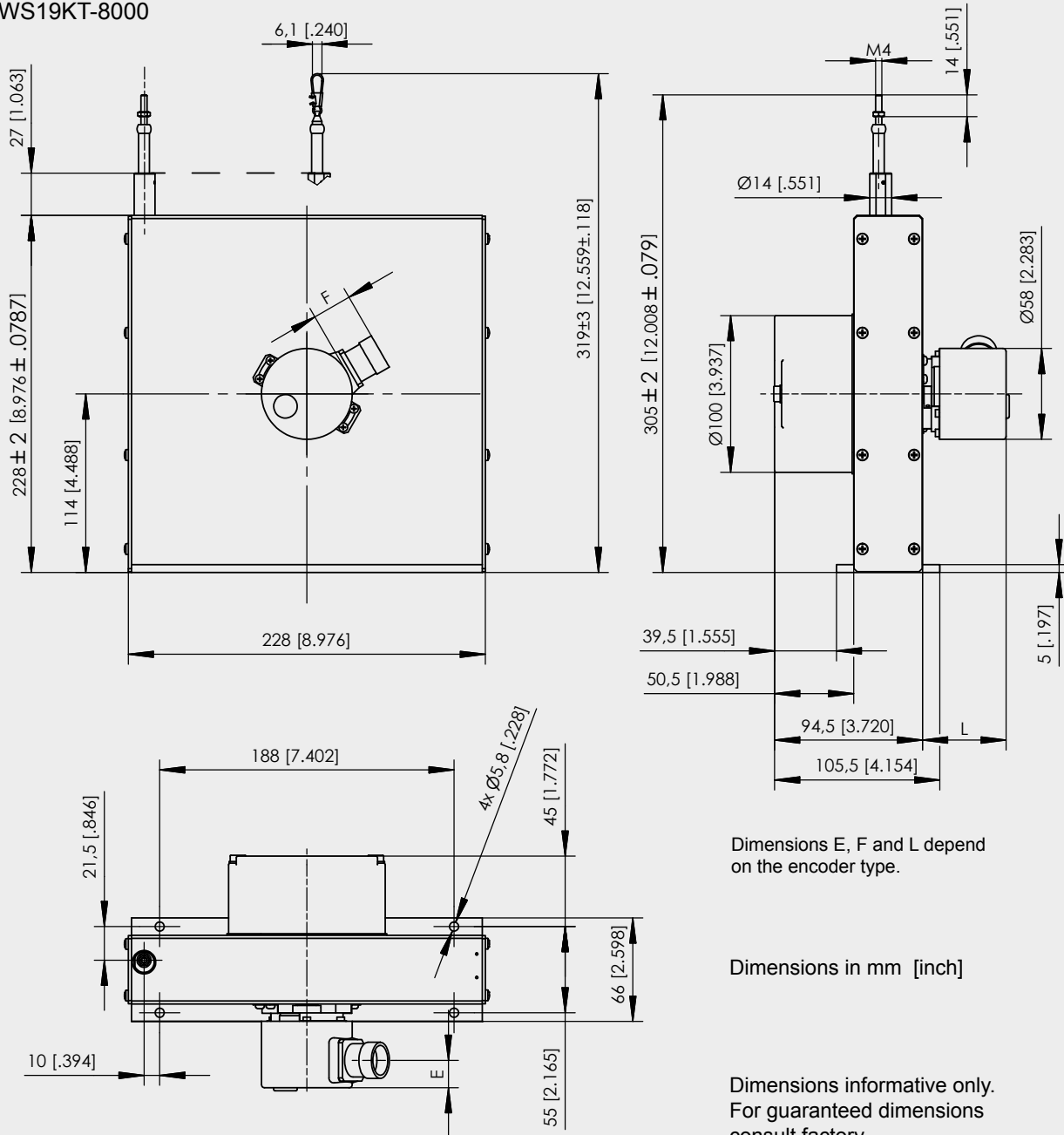
Dimensions informative only.
 For guaranteed dimensions consult factory.

POSIWIRE®
WS19KT
Absolute or Incremental Encoder Output



Outline drawing
WS19KT-8000

Option SB0



Dimensions E, F and L depend on the encoder type.

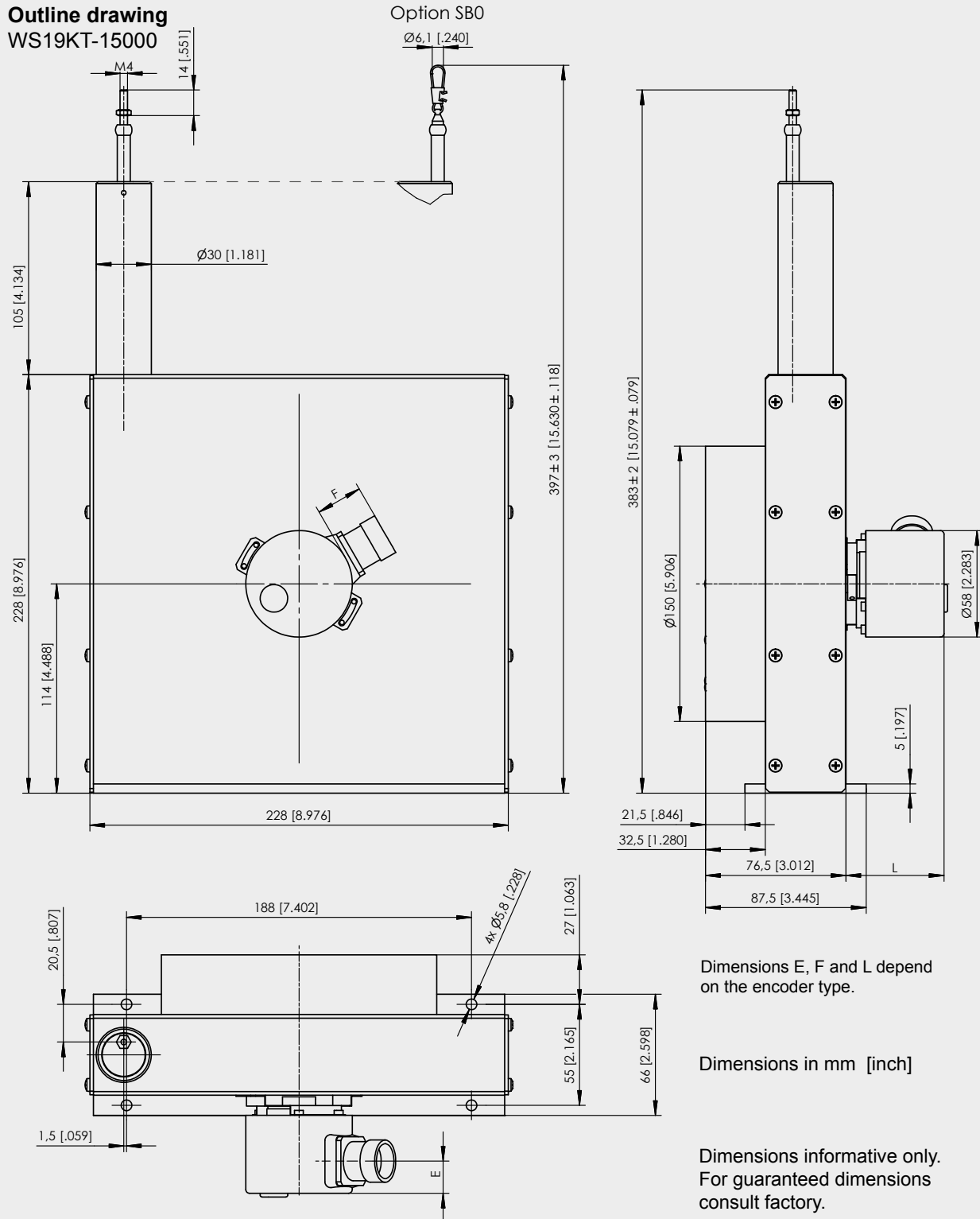
Dimensions in mm [inch]

Dimensions informative only.
 For guaranteed dimensions consult factory.

POSIWIRE®
WS19KT
Absolute or Incremental Encoder Output



Outline drawing
WS19KT-15000

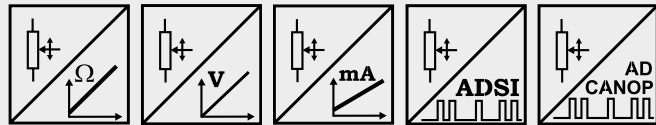


POSIWIRE®
WS7.5
Analog, SSI or CANopen Output



Compact industrial sensor for long ranges

- Protection class IP52
- Measurement ranges 0 ... 10000 mm to 0 ... 40000 mm
- Analog output or
A/D converted synchronous serial output (SSI) or
A/D converted CANopen output



Specifications	Outputs	Potentiometer 1 kΩ Voltage 0 ... 10 V Current 4 ... 20 mA, 2 or 3 wire Voltage or current output, programmable (PMUV/PMUI) A/D converted synchronous serial interface (SSI) A/D converted CANopen bus
Resolution		Analog: essentially infinite ADSI16: max. 16 bit f.s. ADCANOP: 16 bit f.s.
Linearity		Up to ±0.05% f.s.
Sensing device		Precision potentiometer
Material		Aluminum and stainless steel; cable: stainless steel
Protection class		IP52
Connection		Male 8 pin socket M12 (ADCANOP: 5 pin socket)
Weight		Approx. 10 kg maximum
EMC, temperature		Refer to output specification

Order code WS7.5



Model name

Measurement range (in mm)

10000 / 20000 / 30000 / 40000

Output

- R1K = Potentiometer 1 kΩ
- 10V = 0 ... 10 V signal conditioner
- 420A = 4 ... 20 mA signal conditioner
- 420T = 4 ... 20 mA signal conditioner
- PMUV/PMUI = Programmable 0... 10 V or 4 ... 20 mA signal conditioner
- ADSI16 = A/D converted synchronous serial interface 16 bit (12 or 14 bit opt.)
- ADCANOP = A/D converted CANopen bus

Linearity

L10 = ±0.10 % option: L05 = ±0.05 % L25 = ±0.25 %

Cable fixing

- M4 = M4 cable fixing
- SB0 = Cable clip

Connection

- M12 = 8 pin socket M12 (not for ADCANOP)
- M12/CAN = 5 pin socket M12 (for ADCANOP)

Order code connector cable: see page 82/83

Order example: WS7.5 - 30000 - 420T - L10 - M4 - M12



Compact industrial sensor for long ranges

- Protection class IP52
- Measurement range 0 ... 10000 mm to 0 ... 40000 mm
- Absolute or incremental encoder



Specifications	Outputs	See order code
	Resolution for 12 bit per revolution (4096 steps/revolution)	Up to 30000: 0.073 mm; 40000: 0.088 mm
	Linearity	±0.05% f.s.; ±0.01% f.s. as option
	Sensing device	Absolute encoder / incremental encoder
	Material	Aluminum and stainless steel; cable: stainless steel
	Protection class	IP52, encoder IP64
	Connection	Depend on the encoder type: connector or bus cover
	Weight	Approx. 10 kg maximum
EMC, temperature	Refer to output specification	

Order code WS7.5

Model name

Measurement range (in mm)

10000 / 15000 / 20000 / 25000 / 30000 / 40000

Outputs

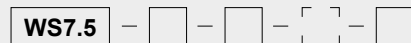
- ME = Mechanism only for installation of suitable multiturn encoders
- BK = Customer sources encoder for fitting by ASM
- LD5VC = Incremental encoder TTL compatible, inverted
- PP24VC = Incremental encoder HTL compatible, inverted
- HSSI = Absolute encoder with synchronous serial output (SSI)
- HINT = Absolute encoder with Interbus interface
- HPROF = Absolute encoder with Profibus interface
- HDEV = Absolute encoder with DeviceNet interface
- HCAN = Absolute encoder with CAN interface
- HCANOP = Absolute encoder with CANopen interface

Linearity (option)

L01 = ±0.01% f.s.

Cable fixing

- M4 = M4 cable fixing
- SB0 = Cable clip



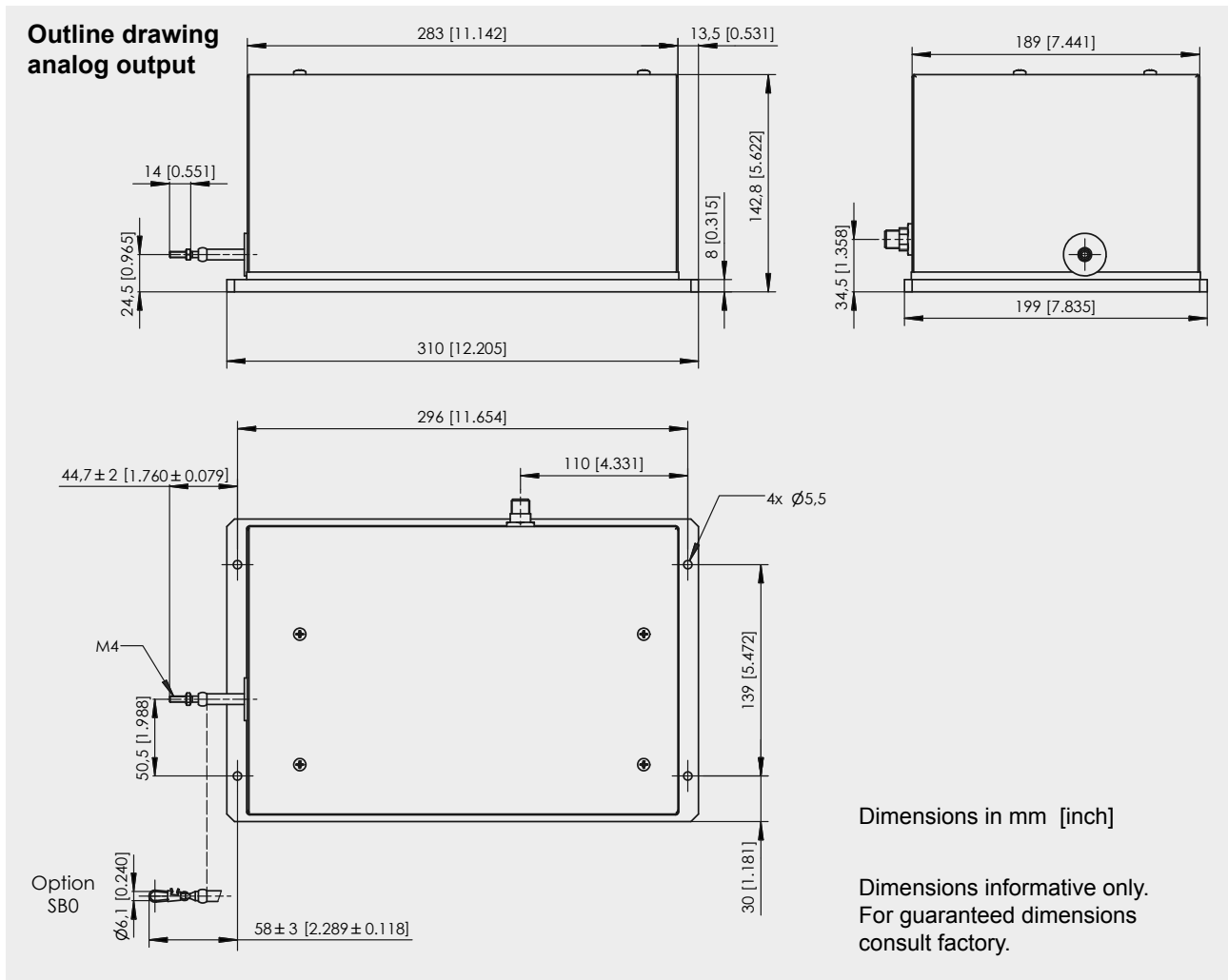
Order code mating connector

incremental, HSSI:

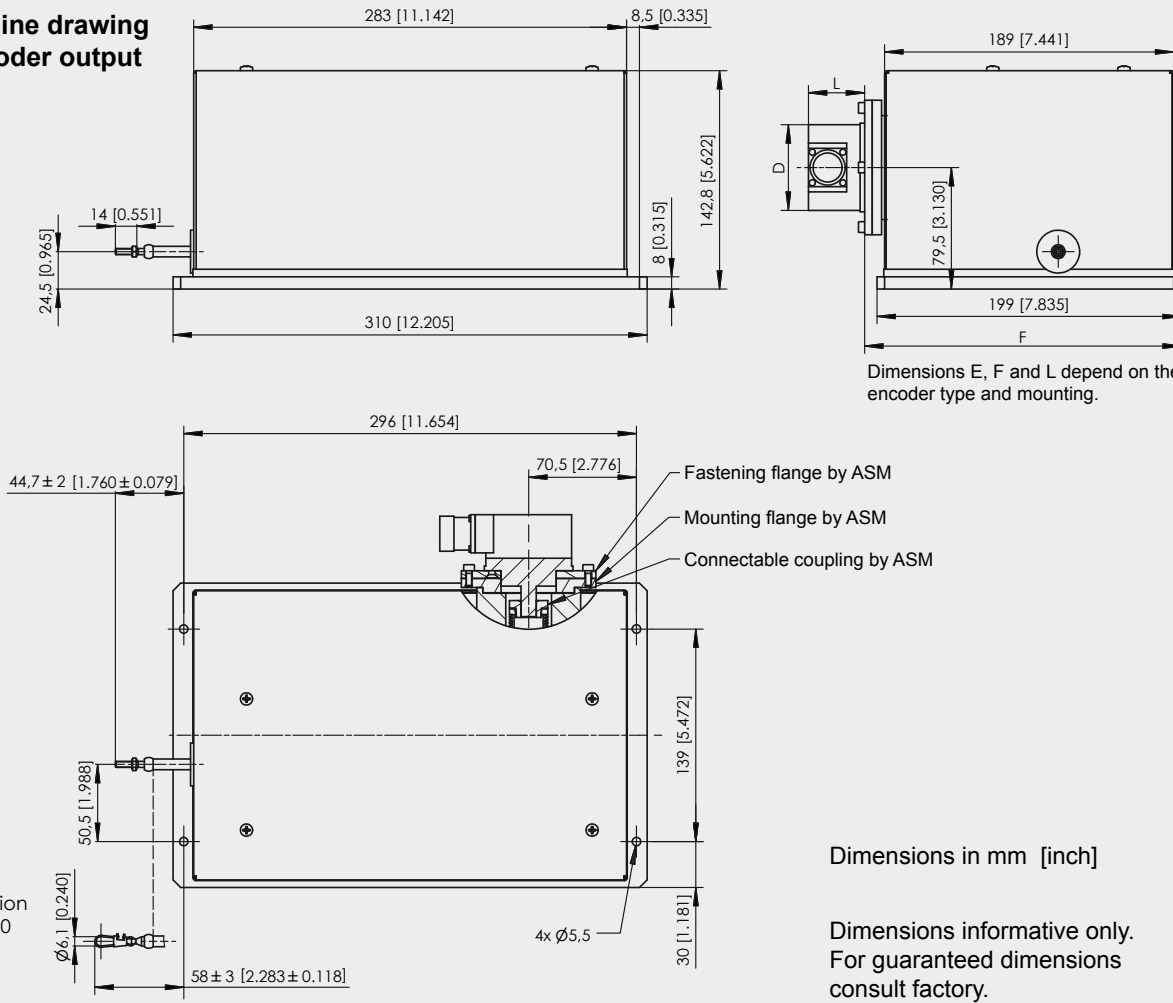
CONN-CONIN-12F-G

Order example: WS7.5 - 30000 - HSSI - M4

Cable forces, typical at 20 °C	Range	Max. pull-out force	Min- pull-in force
	[mm]	[N]	[N]
	10000 - 30000	8.0	4.2
	40000	7.0	3.4



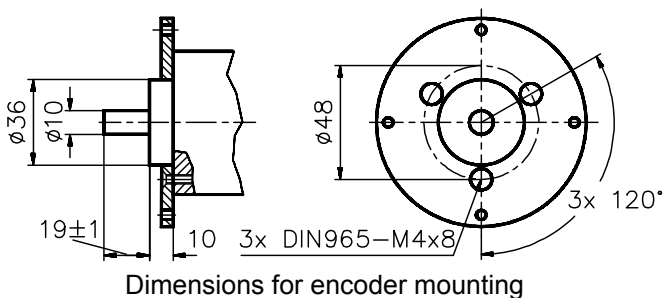
Outline drawing encoder output



Dimensions in mm [inch]

Dimensions informative only. For guaranteed dimensions consult factory.

Output ME



Connectable coupling in two parts (output ME)

The outer part of the coupling should be fitted to the encoder shaft. Adjust a 0.5 mm clearance between the fastening and the mounting flanges to give an initial tension on the coupling when the mounting bolts are tightened.



Industrial position sensor for very long measurement ranges

- Protection class IP52
- Measurement ranges 0 ... 60000 mm
- Absolute or incremental encoder



Specifications	Outputs	Incremental encoder with TTL or HTL output Absolute encoder see order code
	Resolution	8 pulses/steps per mm
	Linearity	±0.10 % f.s.; optional 0.025 % f.s.
	Sensing device	Absolute encoder / incremental encoder
	Material	Aluminium and stainless steel; Cable: stainless steel
	Protection class	IP52, encoder IP64
	Connection	Depending at the encoder type: connector or bus cover
	EMC, temperature	Refer to output specification

Order code WS60

Model name WS60 - [] - [] - [] - []

Measurement range (in mm)
60000

Outputs
 LD5VC = Incremental encoder TTL compatible
 PP24VC = Incremental encoder HTL compatible
 HSSI = Absolute encoder with synchronous serial output (SSI)
 HPROF = Absolute encoder with Profibus interface
 HINT = Absolute encoder with Interbus interface
 HDEV = Absolute encoder with DeviceNet interface
 HCAN = Absolute encoder with CAN interface
 HCANOP = Absolute encoder with CANopen interface

Linearity (option)
L025 = ±0.025% f.s.

Cable fixing
 M4 = M4 cable fixing
 SB0 = Cable clip

Order code mating connector

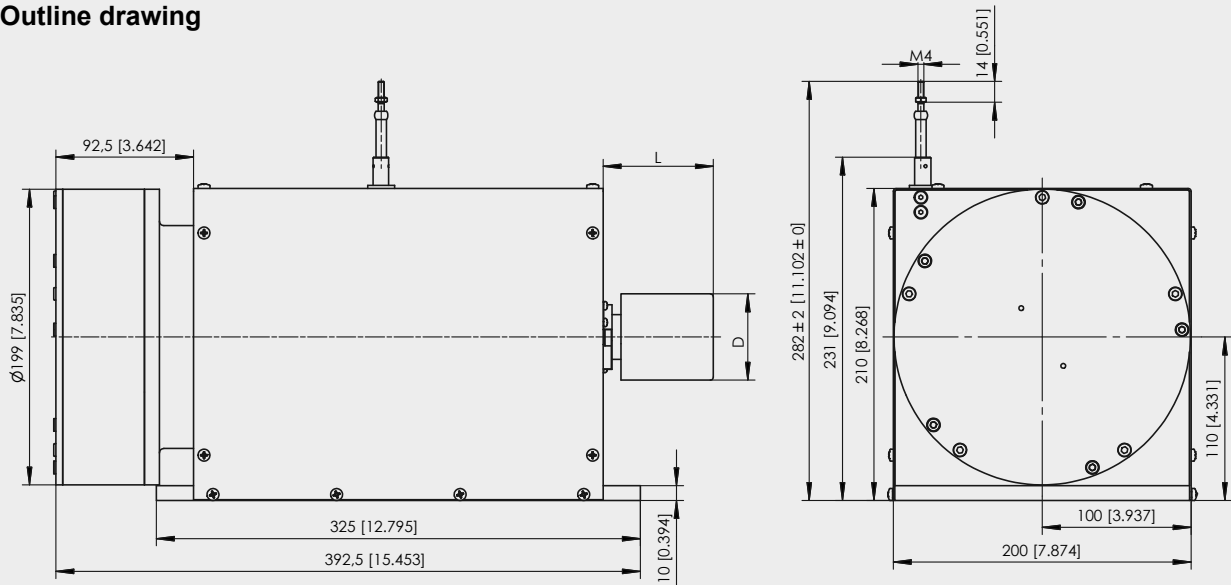
incremental, HSSI:

CONN-CONIN-12F-G

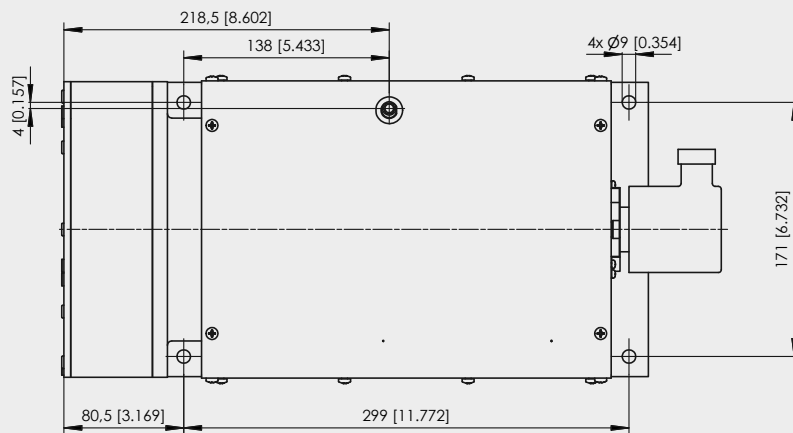
Order example: WS60 - 60000 - HSSI - M4

Cable forces, typical at 20 °C	Range	Max. pull-out force	Min. pull-in force
	[mm]	[N]	[N]
	60000	17.0	6.5

Outline drawing



Dimensions D and L depend on the encoder type



Dimensions in mm [inch]

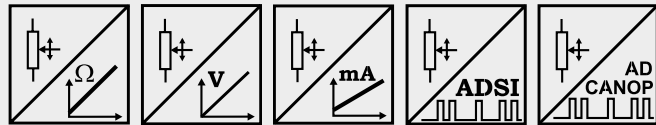
Dimensions informative only.
For guaranteed dimensions
consult factory.

POSIWIRE® WS12 Analog, SSI or CANopen Output



Sensor for hostile environments

- Protection class IP67
- Measurement ranges 0 ... 100 mm to 0 ... 3000 mm
- Analog output or
A/D converted synchronous serial output (SSI) or
A/D converted CANopen output



Specifications	Outputs	Potentiometer 1 kΩ Voltage 0 ... 10 V Current 4 ... 20 mA, 2 or 3 wire Voltage or current output, programmable (PMUV/PMUI) A/D converted synchronous serial interface (SSI) A/D converted CANopen bus
	Resolution	Analog: essentially infinite ADSI16: max. 16 bit f.s. ADCANOP: 16 bit f.s.
	Linearity	Up to ±0.05% f.s.
	Sensing device	Precision potentiometer
	Material	Aluminum and stainless steel; cable: stainless steel
	Protection class	IP67 (with mating connector only)
	Connection	Male 8 pin socket M12 (ADCANOP: 5 pin socket)
	Weight	≤1500 mm: 1 kg; ≥2000 mm: 1.5 kg
	EMC, temperature	Refer to output specification

Order code WS12

Model name

Measurement range (in mm)

100 / 125 / 500 / 1000 / 1250 / 1500 / 2000 / 2500 / 3000

Output

R1K = Potentiometer 1 kΩ
 10V = 0 ... 10 V signal conditioner
 420A = 4 ... 20 mA signal conditioner
 420T = 4 ... 20 mA signal conditioner
 PMUV/PMUI = Programmable 0... 10 V or 4 ... 20 mA signal conditioner
 ADSI16 = A/D converted synchronous serial interface 16 bit (12 or 14 bit opt.)
 ADCANOP = A/D converted CANopen bus

Linearity

L10 = ±0.10% option: L05 = ±0.05 % L25 = ±0.25 %

Cable fixing

M4 = M4 cable fixing
 SB0 = Cable clip

Connection

M12 = 8 pin socket M12 (not for ADCANOP)
 M12/CAN = 5 pin socket M12 (for ADCANOP)



Order code connector cable: see page 82/83

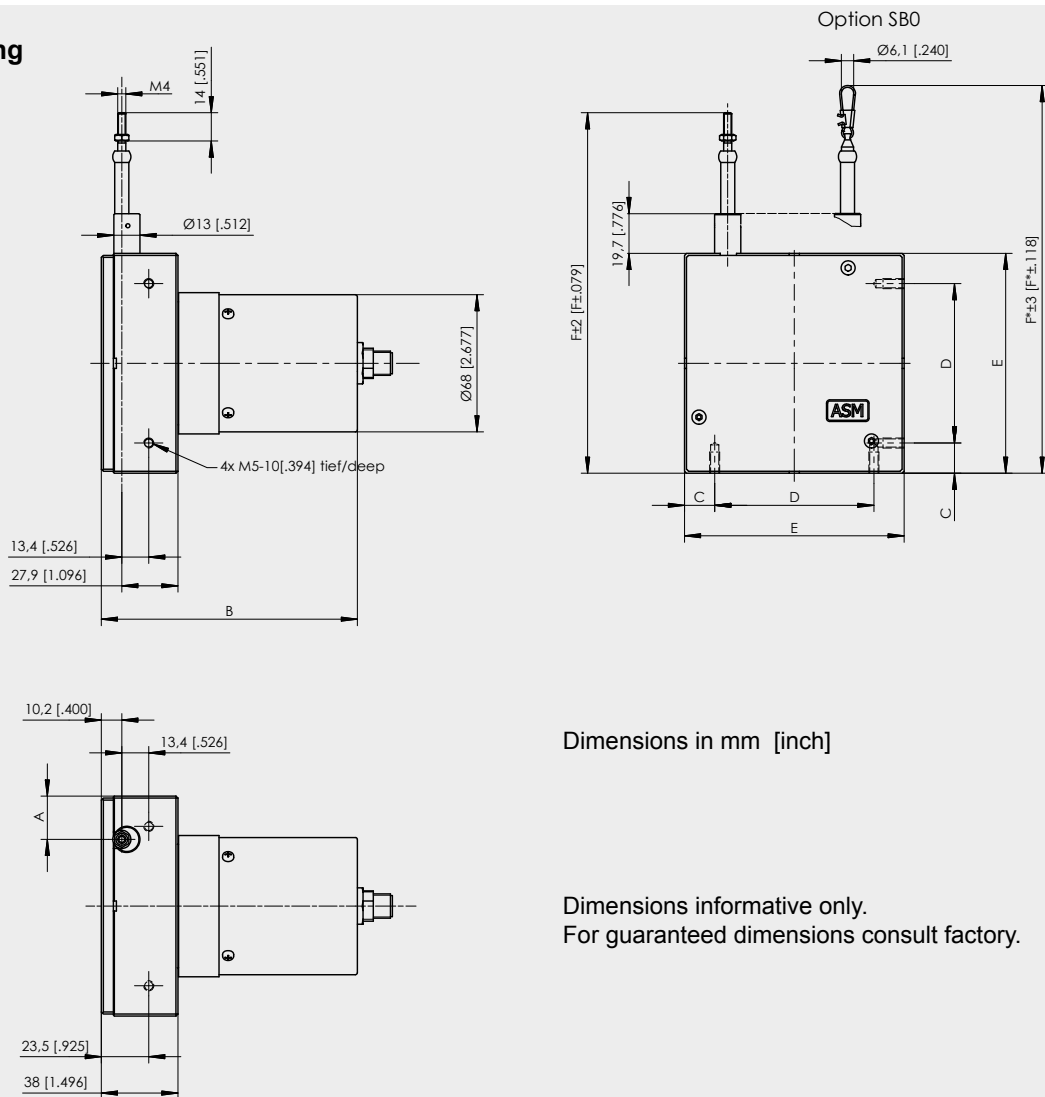
Order example: **WS12 - 2500 - 10V - L10 - M4 - M12**

POSIWIRE® WS12 Analog, SSI or CANopen Output



Cable forces, typical at 20 °C	Range	Max. pull-out force	Min. pull-in force
	[mm]	[N]	[N]
	100	5.2	2.8
	125	4.6	2.5
	500	5.9	2.6
	1000	5.5	2.4
	1250	4.8	2.1
	1500	10.4	6.4
	2000	8.1	5.0
	2500	6.7	4.0
	3000	6.2	3.0

Outline drawing



Dimensions in mm [inch]

Dimensions informative only.
For guaranteed dimensions consult factory.

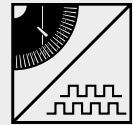
Dimensions in mm	Range	A	B	C	D	E	F	F*
	100; 500; 1000	18.3	112	14	43	71	141	154
125; 1250	14.5	112	14	43	71	141	154	
1500	10.7	127	14	43	71	141	154	
2000	21.5	127	15	79	109	179	192	
2500	13.3	127	15	79	109	179	192	
3000	9.2	127	15	79	109	179	192	

POSIWIRE®
WS12
Incremental Encoder Output



Sensor for hostile environments

- Protection class IP67
- Measurement ranges 0 ... 1250 mm to 0 ... 3000 mm
- Incremental encoder output



Specifications	Outputs	Incremental encoder output for reliable data transmission. The output is compatible with TTL and HTL.
	Resolution	5 or 10 pulses per mm (1/20 mm or 1/40 mm with external edge counting mode)
	Linearity	±0.05% f.s.
	Sensing device	Incremental encoder
	Material	Aluminum, stainless steel and plastic; cable: stainless steel
	Protection class	IP67
	Connection	Male 8 pin socket M12
	Weight	≤1500 mm: approx. 1 kg; ≥2000 mm: approx. 1.5 kg
EMC, temperature	Refer to output specification	

Order code WS12



Model name

Measurement range (in mm)

1250 / 1500 / 2000 / 2500 / 3000

Pulses per mm

10 = 10 pulses per mm (1250, 1500 mm)

5 = 5 pulses per mm (2000, 2500, 3000 mm)

Other numbers of pulses on request

Output

PP530 = Incremental output 5 ... 30 V

IE41LI = Incremental encoder TTL compatible

IE41HI = Incremental encoder HTL compatible

Cable fixing

M4 = M4 cable fixing

SB0 = Cable clip

Connection

M12 = 8 pin socket M12

Order code connector cable: see page 82/83

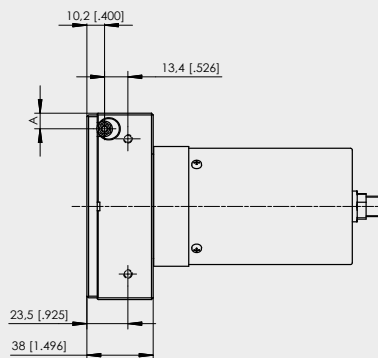
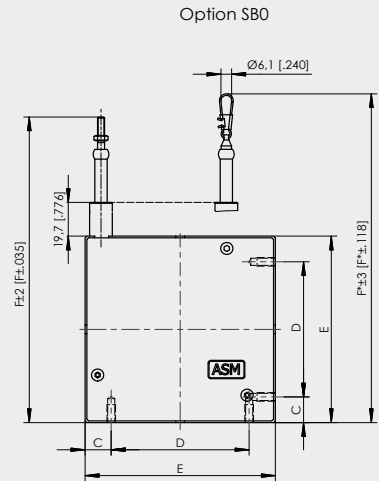
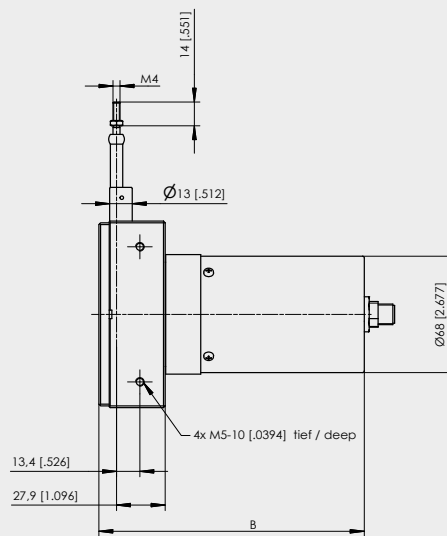
Order example: WS12 - 2500 - 5 - PP530 - M4 - M12

POSIWIRE®
WS12
Incremental Encoder Output



Cable forces, typical at 20 °C	Range	Max. pull-out force	Min. pull-in force
	[mm]	[N]	[N]
	1250	6.6	2.7
	1500	10.6	6.5
	2000	5.7	4.1
	2500	5.7	4.1
	3000	5.8	4.0

Outline drawing



Dimensions in mm [inch]

Dimensions informative only.
 For guaranteed dimensions consult factory.

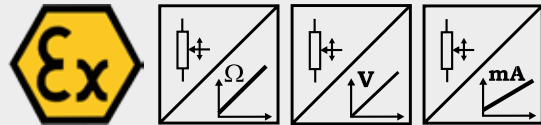
Dimensions in mm	Range	A	B	C	D	E	F	F*
	1250	18.3	137	14	43	71	141	154
1500	10.7	152	14	43	71	141	154	
2000	9.2	152	15	79	109	179	192	
2500	9.2	152	15	79	109	179	192	
3000	9.2	152	15	79	109	179	192	

POSIWIRE® WS10EX Analog Output, Dust Explosion-Proof



Very compact sensor for dust explosive areas

- Protection class IP65
- Measurement range 0 ... 100 mm to 0 ... 1250 mm
- Analog output
- Dust ex-proof, category 3, zone 22
- II 3D Ex tD A22 IP65 T80°C X



Specifications	Outputs	Potentiometer 1 kΩ Voltage 0 ... 10 V Current 4 ... 20 mA, 2 or 3 wire
Resolution		Essentially infinite
Linearity		Up to ±0.05% f.s.
Sensing device		Precision potentiometer
Material		Aluminum and stainless steel; cable: stainless steel
Connection		Cable output, standard length 2 m
Weight		Approx. 800 g max.
Temperature		-20 to +40 °C
Environmental		
Explosion-proof		EN 61241-0:2007; EN 61241-1:2005 X = Tested with low impact energy 4 J
EMC		EN 61326:2006
Protection class of housing		EN 60529:2000, IP65
Shock		EN 60068-2-27:1993, 50 g 11 ms, 100 shocks
Vibration		EN 60068-2-6:1995, 20 g, 10 Hz - 2 kHz, 10 cycles

Order code WS10EX



Model name

Measurement range (in mm)

100 / 125 / 375 / 500 / 750 / 1000 / 1250

Output

R1K = Potentiometer 1 kΩ
 10V = 0 ... 10 V signal conditioner
 420A = 4 ... 20 mA signal conditioner, 2 wire
 420T = 4 ... 20 mA signal conditioner, 3 wire

Linearity

L10 = ±0.10 % option: L05 = ±0.05 % L25 = ±0.25 %

Cable fixing

M4 = M4 cable fixing
 SB0 = Cable clip

Connection

KAB2M = Cable output, standard length 2 m

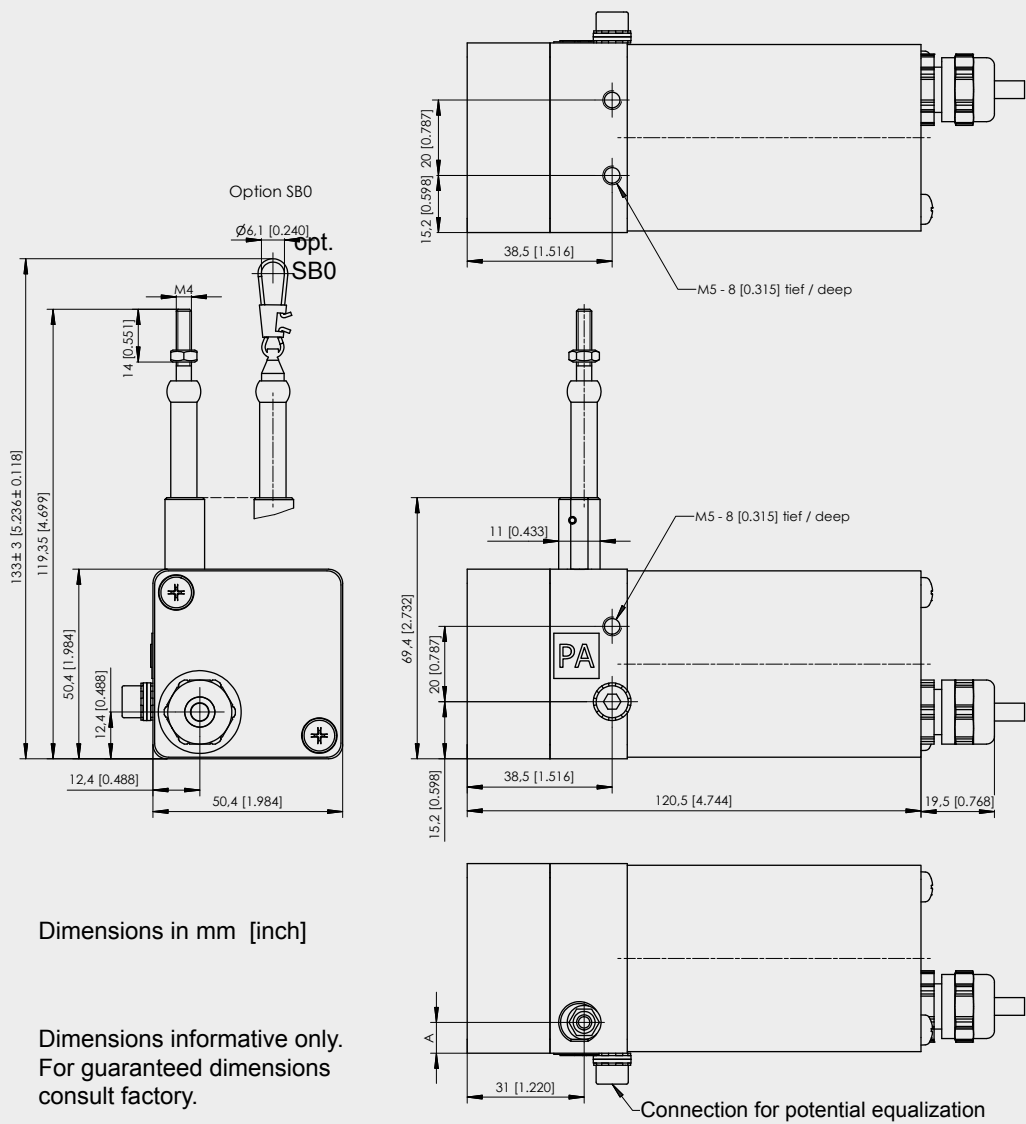
Order example: WS10EX - 1250 - 420A - L10 - M4 - KAB2M

POSIWIRE®
WS10EX
Analog Output, Dust Explosion-Proof



Cable forces, typical at 20 °C	Range	Max. pull-out force	Min. pull-in force
	[mm]	[N]	[N]
	100	4.7	3.0
	125	4.6	2.4
	375	7.4	3.9
	500	5.5	2.8
	750	7.6	3.8
	1000	5.3	2.9
	1250	4.6	2.4

Outline drawing



Dimensions in mm [inch]

Dimensions informative only.
 For guaranteed dimensions
 consult factory.

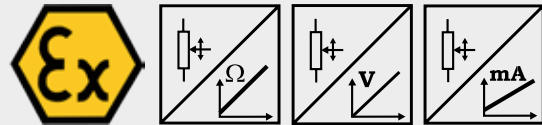
Dimensions in mm	Range	A
	375; 750	12.4
100; 125; 500; 1000; 1250	8	

POSIWIRE®
WS12EX
Analog Output, Dust Explosion-Proof



Sensor for hostile environments

- Protection class IP67
- Measurement range 0 ... 100 mm to 0 ... 3000 mm
- Analog output
- Dust ex-proof, category 3, zone 22
- II 3D Ex tD A22 IP67 T80°C



Specifications	Outputs	
		Potentiometer 1 kΩ Voltage 0 ... 10 V Current 4 ... 20 mA, 2 or 3 wire
Resolution	Essentially infinite	
Linearity	Up to ±0.05% f.s.	
Sensing device	Precision potentiometer	
Material	Aluminum and stainless steel; cable: stainless steel	
Connection	Cable output, standard length 2 m	
Weight	≤1500 mm: approx. 1 kg; ≥2000 mm: approx. 1.5 kg	
Temperature	-20 to +40 °C	
Environmental		
Explosion-proof	EN 61241-0:2007; EN 61241-1:2005	
EMC	EN 61326:2006	
Protection class of housing	EN 60529:2000, IP67	
Shock	EN 60068-2-27:1993, 50 g 11 ms, 100 shocks	
Vibration	EN 60068-2-6:1995, 20 g, 10 Hz - 2 kHz, 10 cycles	

Order code WS12EX



Model name

Measurement range (in mm)

100 / 125 / 500 / 1000 / 1250 / 1500 / 2000 / 2500 / 3000

Output

- R1K = Potentiometer 1 kΩ
- 10V = 0 ... 10 V signal conditioner
- 420A = 4 ... 20 mA signal conditioner, 2 wire
- 420T = 4 ... 20 mA signal conditioner, 3 wire

Linearity

L10 = ±0.10 % option: L05 = ±0.05 % L25 = ±0.25 %

Cable fixing

- M4 = M4 cable fixing
- SB0 = Cable clip

Connection

KAB2M = Cable output, standard length 2 m

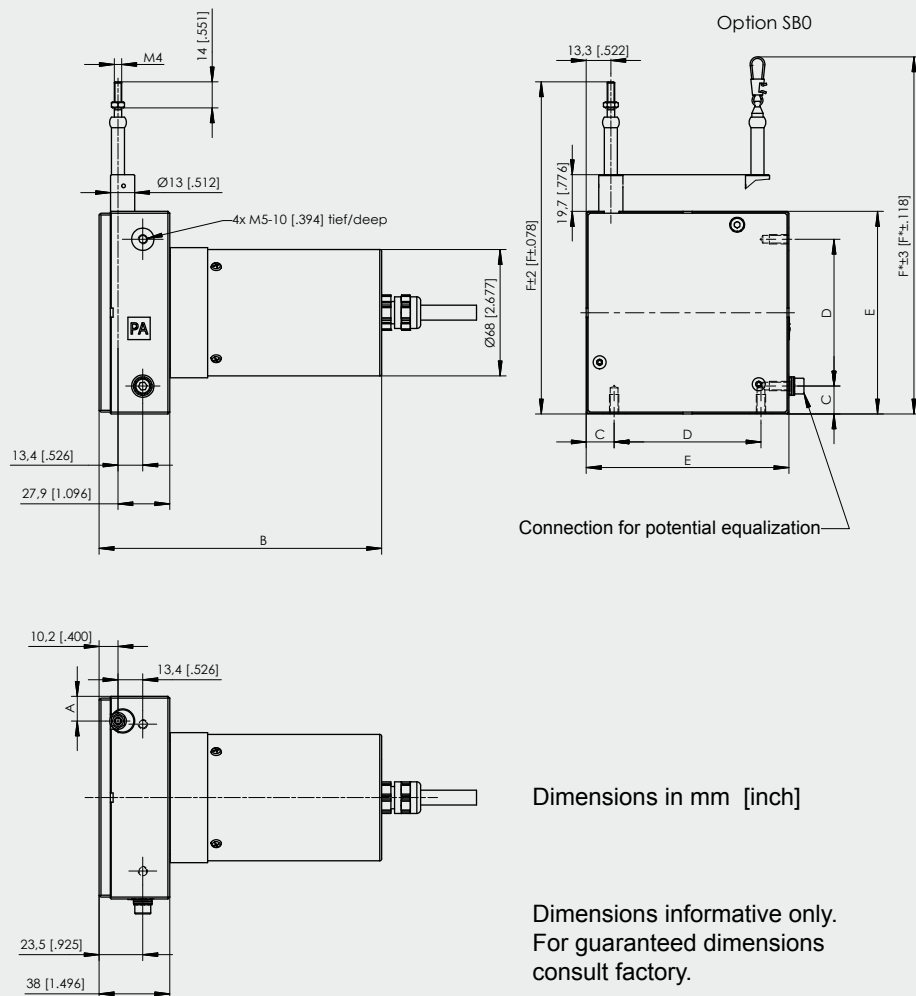
Order example: WS12EX - 2500 - 420A - L10 - M4 - KAB2M

POSIWIRE® WS12EX Analog Output, Dust Explosion-Proof



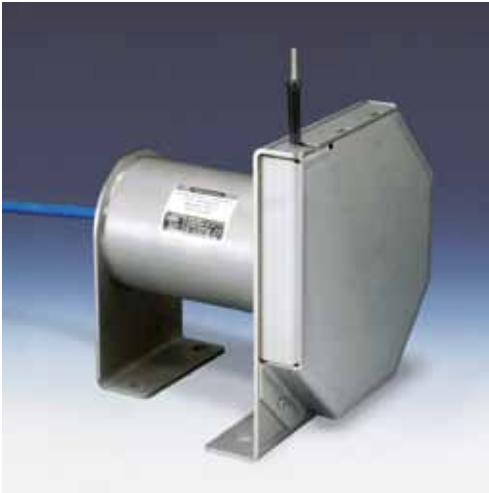
Cable forces, typical at 20 °C	Range	Max. pull-out force	Min. pull-in force
	[mm]	[N]	[N]
	100	5.2	2.8
	125	4.6	2.5
	500	5.9	2.6
	1000	5.5	2.4
	1250	4.8	2.1
	1500	10.4	6.4
	2000	8.1	5.0
	2500	6.7	4.0
	3000	6.2	3.0

Outline drawing



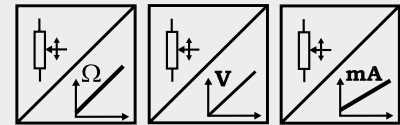
Dimensions in mm	Range	A	B	C	D	E	F	F*
	100; 500; 1000	18.3	137	14	43	71	141	154
125; 1250	14.5	137	14	43	71	141	154	
1500	10.7	152	14	43	71	141	154	
2000	21.5	152	15	79	109	179	192	
2500	13.3	152	15	79	109	179	192	
3000	9.2	152	15	79	109	179	192	

POSIWIRE®
WS100M
Analog Output



Sensor for hostile environments and offshore applications

- Protection class IP68/IP69K
- Measurement ranges 0 ... 2000 mm to 0 ... 10000 mm
- Analog output



Specifications	Outputs	Potentiometer 1 kΩ Voltage 0 ... 10 V Current 4 ... 20 mA, 2 or 3 wire
	Resolution	Essentially infinite
	Linearity	Up to ±0.05 % f.s.
	Sensing device	Hybrid precision potentiometer
	Material	Stainless steel; cable: stainless steel
	Protection class	IP68/IP69K
	Connection	Cable output, standard length 2 m
EMC, temperature	Refer to output specification	

Order code WS100M



Model name

Measurement range (in mm)

2000 / 3500 / 7500 / 10000

Outputs

- R1K = Potentiometer 1 kΩ
- 10V = 0 ... 10 V signal conditioner
- 420A = 4 ... 20 mA signal conditioner (2 wire)
- 420T = 4 ... 20 mA signal conditioner (3 wire)

Linearity

L10 = ±0.10 % option: L05 = ±0.05 % L25 = ±0.25 %

Cable fixing

M4VA = M4 cable fixing

Connection

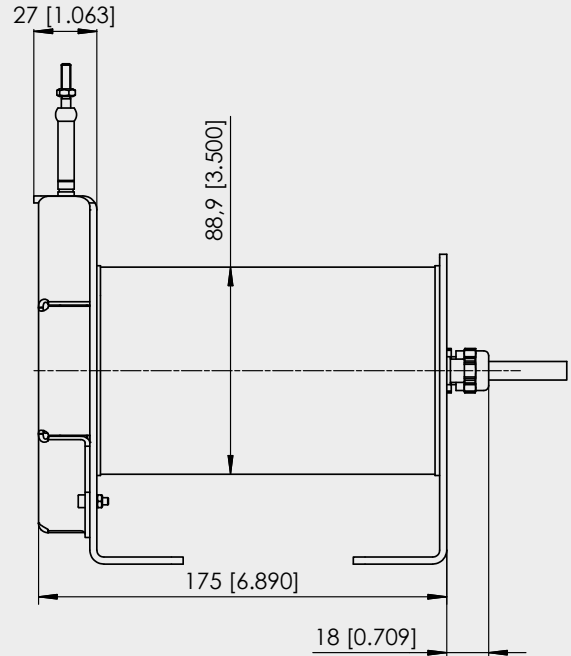
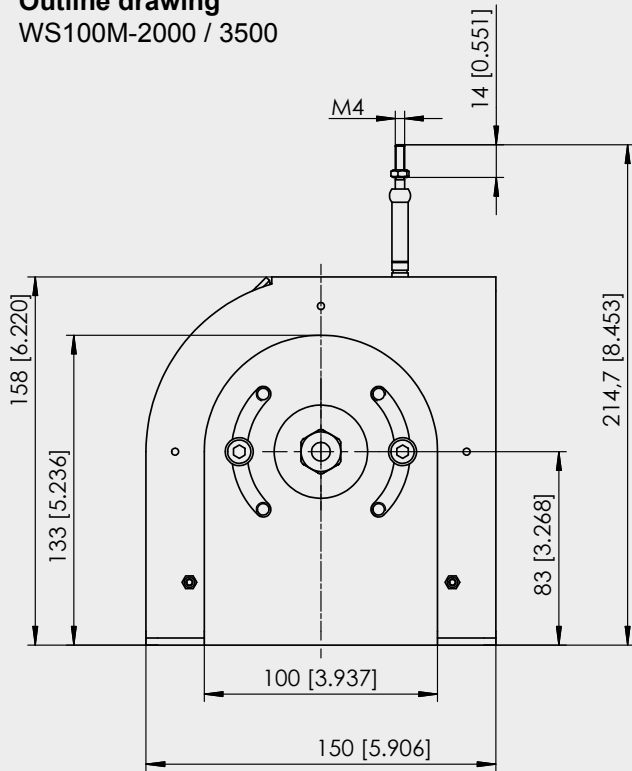
KAB2M = Cable output, standard length 2 m

Order example: WS100M - 7500 - 420T - L10 - M4VA - KAB2M

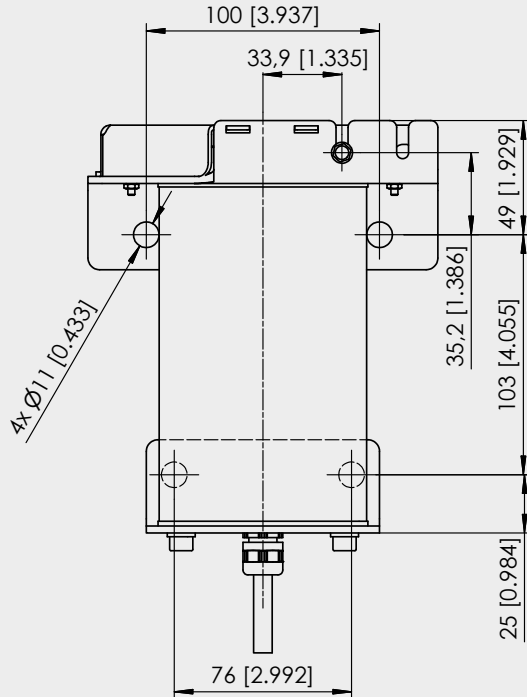
POSIWIRE®
WS100M
Analog Output



Outline drawing
 WS100M-2000 / 3500

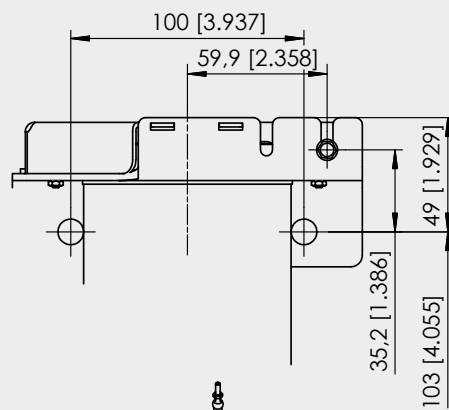


Measurement range 2000 mm

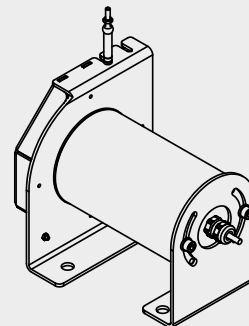


Dimensions in mm [inch]

Measurement range 3500 mm



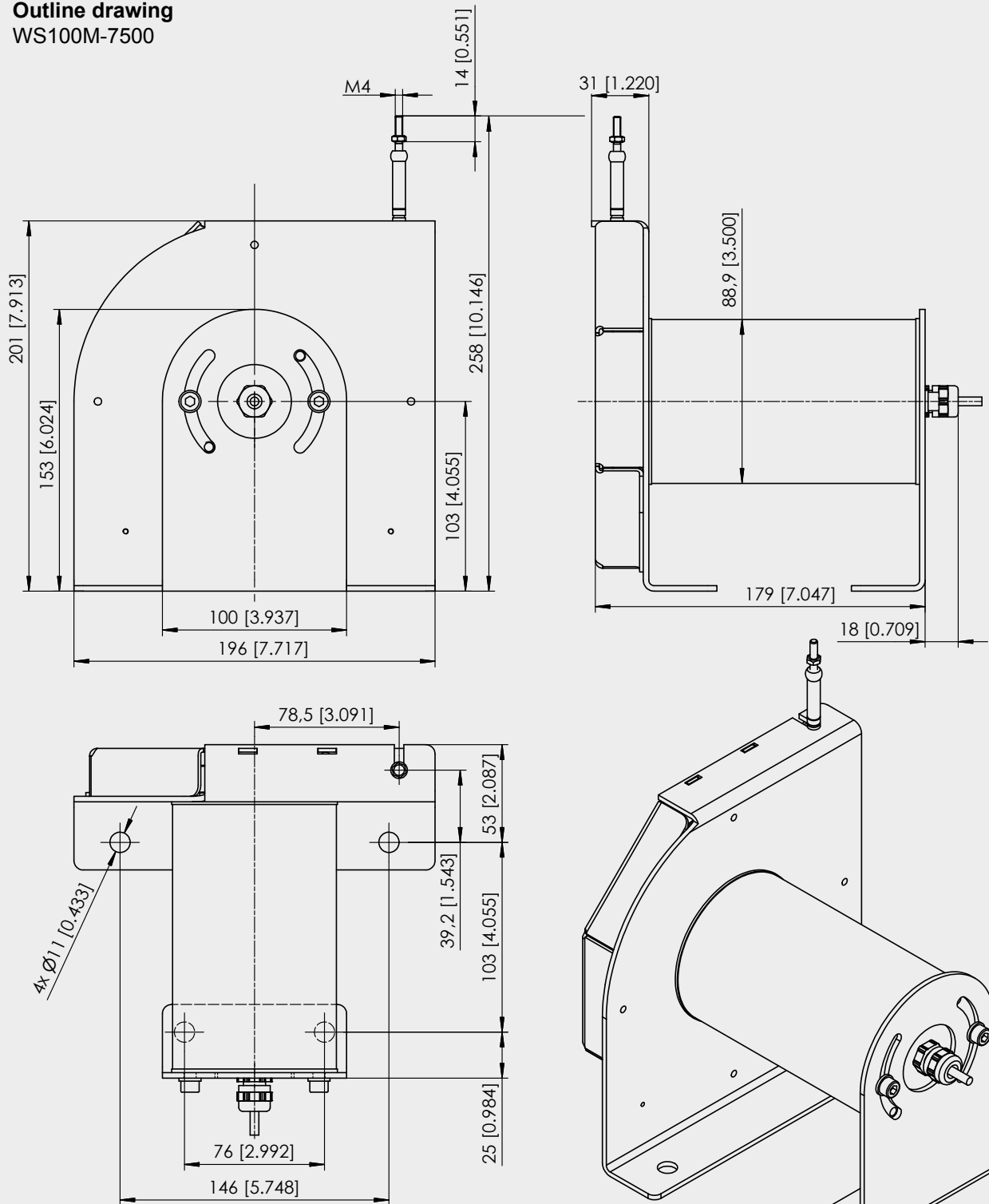
Dimensions informative only.
 For guaranteed dimensions consult factory.



POSIWIRE®
WS100M
Analog Output



Outline drawing
 WS100M-7500



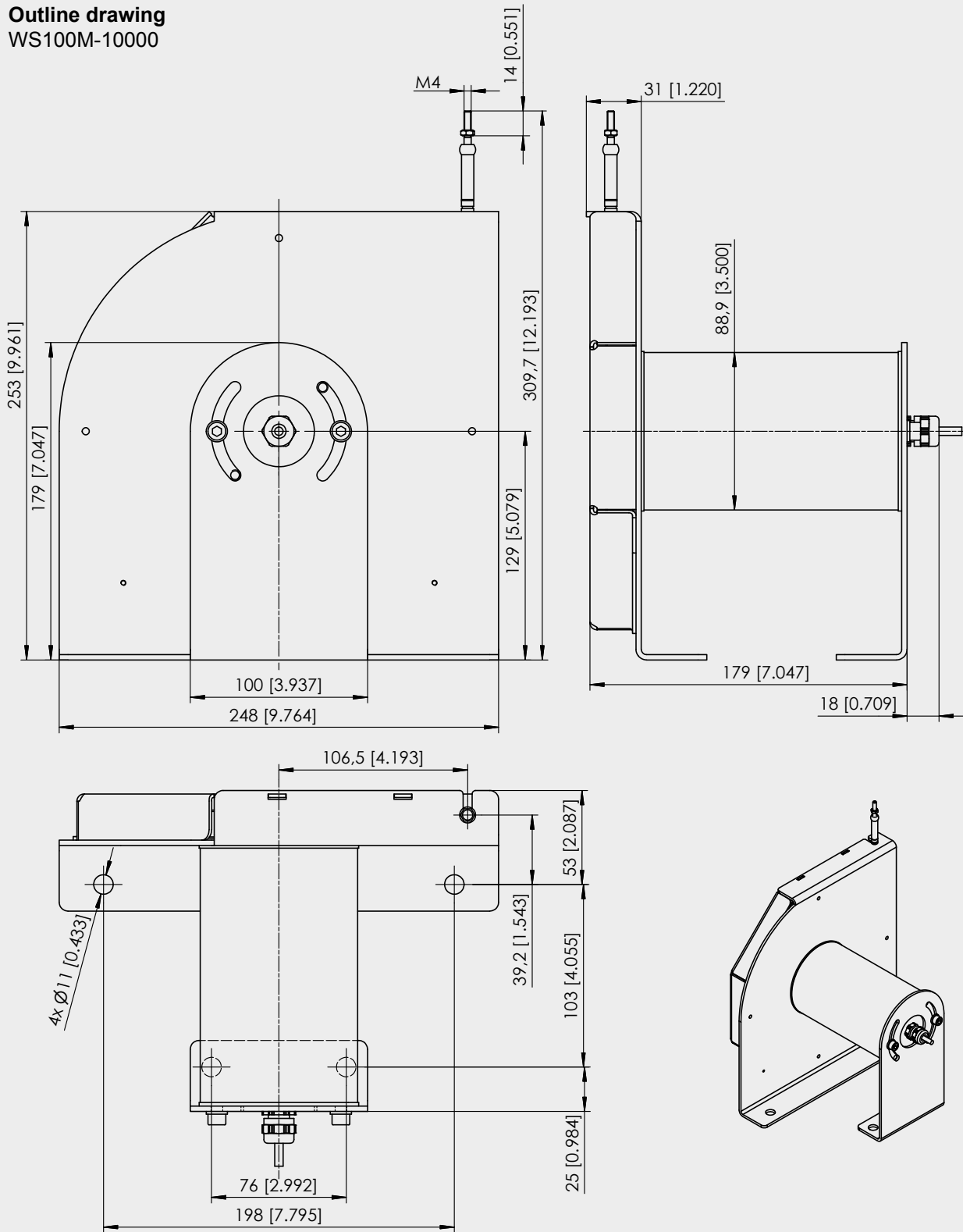
Dimensions in mm [inch]

Dimensions informative only.
 For guaranteed dimensions consult factory.

POSIWIRE®
WS100M
Analog Output



Outline drawing
 WS100M-10000



Dimensions in mm [inch]

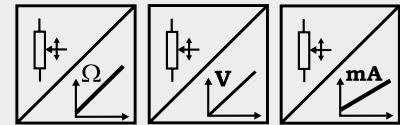
Dimensions informative only.
 For guaranteed dimensions consult factory.

POSIWIRE®
WS31C
Analog Output



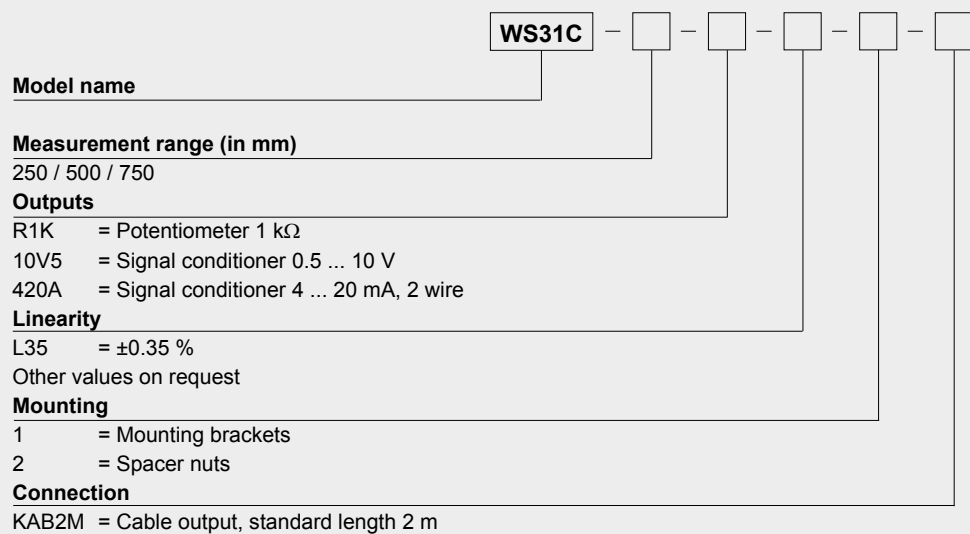
Compact OEM sensor for large order volumes

- Protection class IP50
- Economical design
- Compact outline
- Measurement range 0 ... 250 mm to 0 ... 750 mm
- Mounting optional with mounting brackets or spacer nuts with internal thread
- Analog output



Specifications	Outputs	Potentiometer 1 kΩ Voltage 0.5 ... 10 V Current 4 ... 20 mA, 2 wire
	Resolution	Essentially infinite
	Linearity	±0.35% f.s., other values on request
	Sensing device	Precision potentiometer
	Material	Housing: plastic; cable drum: aluminum; cable: stainless steel
	Protection class	IP50
	Connection	Cable output, standard length 2 m
	Temperature	-15 ... +60 °C, max. 85 % r. h., non condensing
	Weight	Approx. 90 g
	Pull-out force	250 mm: 1.5 N 500 mm: 1.7 N 750 mm: 1.2 N
	EMC	Refer to output specification

Order code WS31C

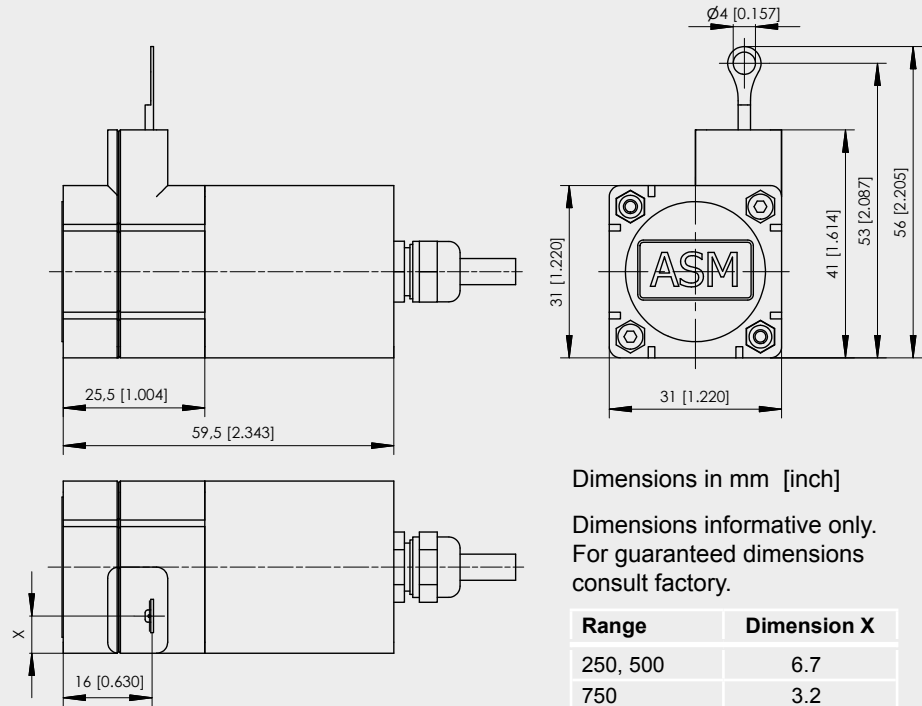


Order example: WS31C - 250 - 420A - L35 - 1 - KAB2M

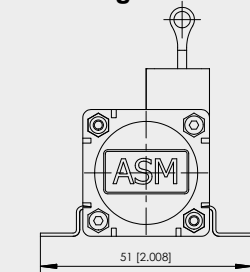
POSIWIRE® WS31C Analog Output



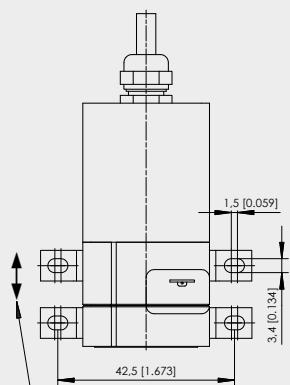
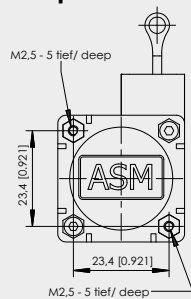
Outline drawing



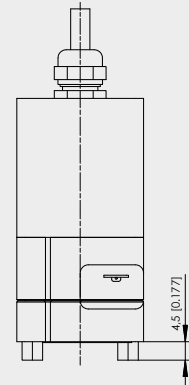
Mounting with mounting brackets



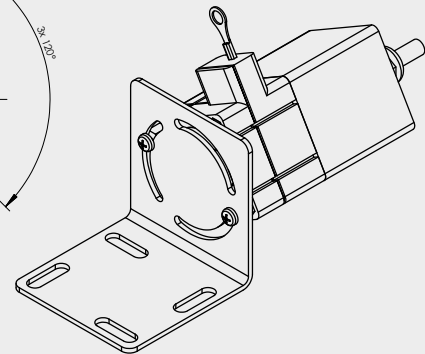
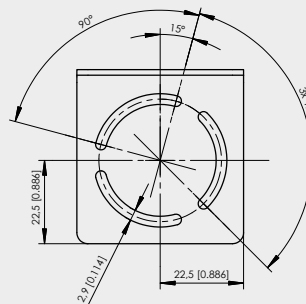
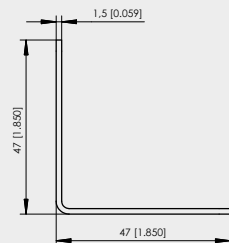
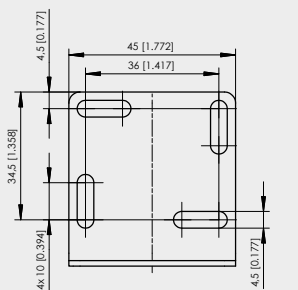
Mounting with spacer nuts



All mounting brackets are moveable along the whole groove while not fixed



Mounting bracket WS31-BFW1

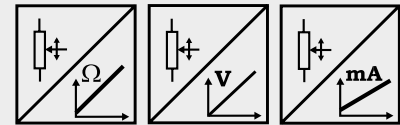


POSIWIRE®
WS42C
Analog Output



Compact OEM sensor for large order volumes

- Protection class IP50
- Economical design
- Compact outline
- Measurement range 0 ... 750 mm and 0 ... 1000 mm
- Mounting optional with mounting brackets or spacer nuts with internal thread
- Analog output



Specifications	Outputs	Potentiometer 1 kΩ Voltage 0.5 ... 10 V Current 4 ... 20 mA, 2 wire
	Resolution	Essentially infinite
	Linearity	±0.35% f.s., other values on request
	Sensing device	Precision potentiometer
	Material	Housing: plastic; cable drum: aluminum; cable: stainless steel
	Protection class	IP50
	Connection	Cable output, standard length 2 m
	Temperature	-15 ... +60 °C, max. 85 % r. h., non condensing
	Weight	Approx. 125 g
	Pull-out force	750 mm: 2.5 N 1000 mm: 1.7 N
EMC	Refer to output specification	

Order code WS42C



Model name

Measurement range (in mm)

750 / 1000

Outputs

R1K = Potentiometer 1 kΩ

10V5 = Signal conditioner 0.5 ... 10 V

420A = Signal conditioner 4 ... 20 mA, 2 wire

Linearity

L35 = ±0.35 %

Other values on request

Mounting

1 = Mounting brackets

2 = Spacer nuts

Connection

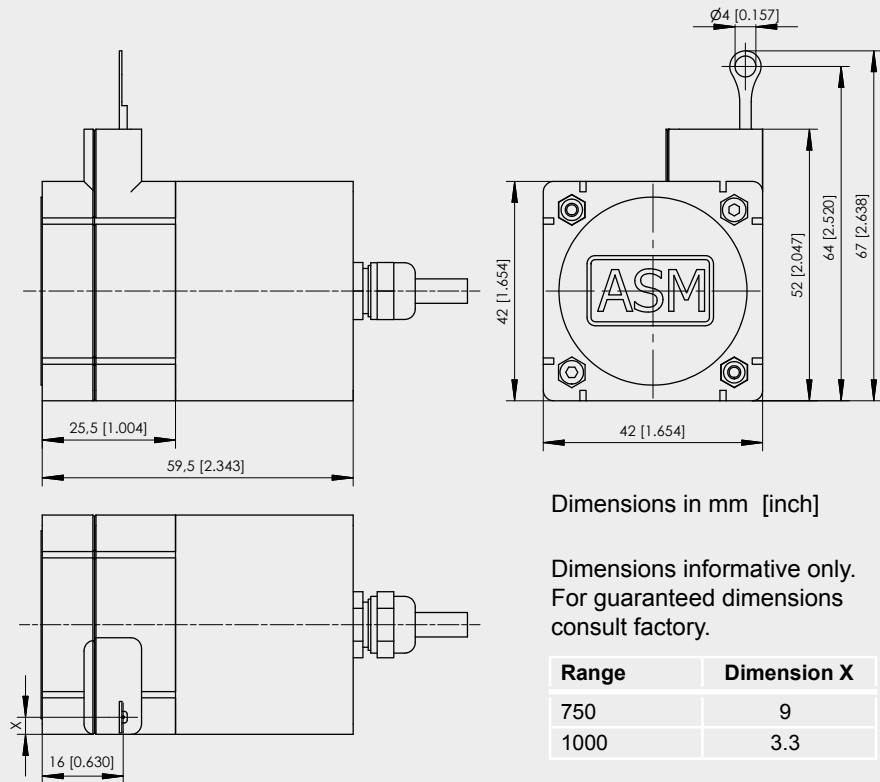
KAB2M = Cable output, standard length 2 m

Order example: WS42C - 750 - 420A - L35 - 1 - KAB2M

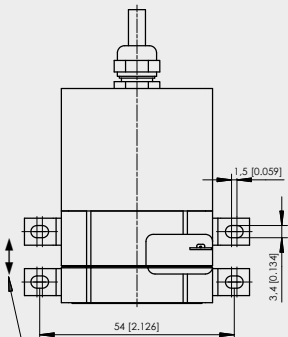
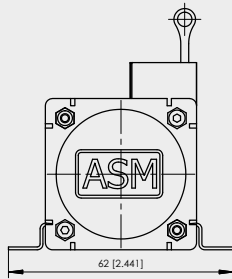
POSIWIRE® WS42C Analog Output



Outline drawing

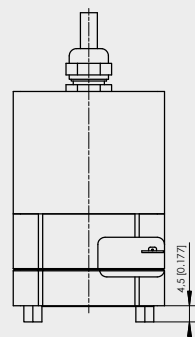
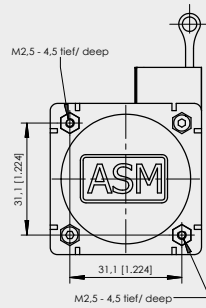


Mounting with mounting brackets

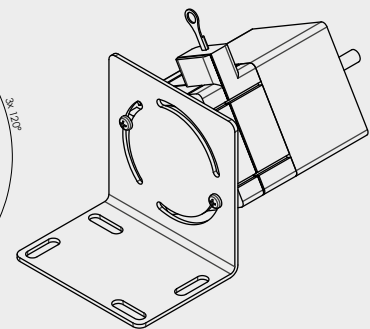
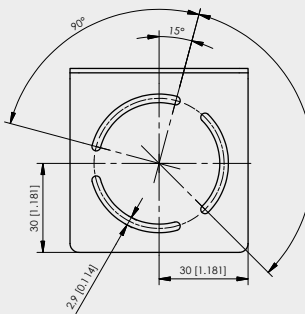
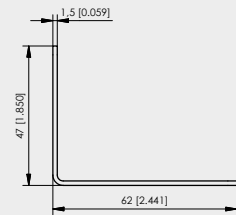
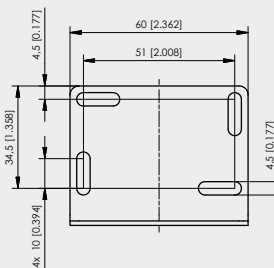


All mounting brackets are
moveable along the whole
groove while not fixed

Mounting with spacer nuts



Mounting bracket WS42-BFW1

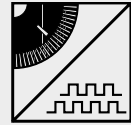


POSIWIRE®
WS31
Incremental Encoder Output



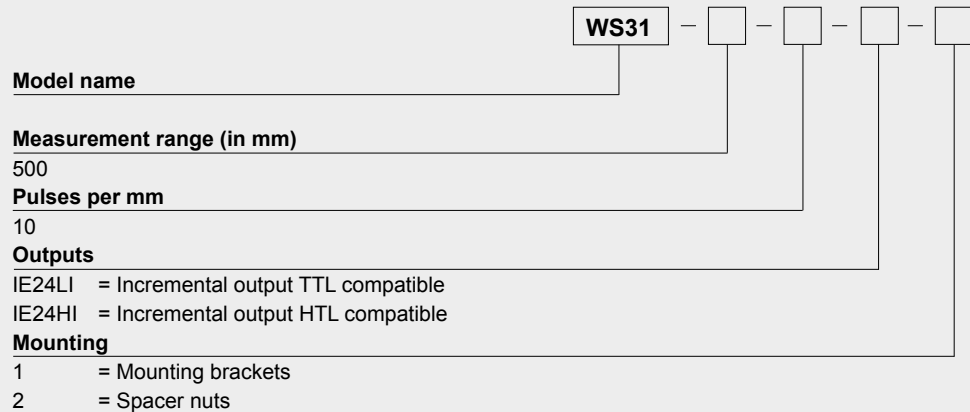
Compact OEM sensor for large order volumes

- Protection class IP50
- Economical design
- Compact outline
- Measurement range 0 ... 500 mm
- Resolution 10 pulses per mm
- Mounting optional with mounting brackets or spacer nuts with internal thread
- Incremental encoder output



Specifications		
Output	Incremental encoder	
Resolution	10 pulses per mm	
Linearity	±0.20% f.s., other values on request	
Sensing device	Incremental encoder	
Material	Housing: plastic; cable drum: aluminum; cable: stainless steel	
Protection class	IP50	
Connection	Cable output radial, length approx. 3 m	
Temperature	0 ... +60 °C, max. 85 % r.h., non condensing	
Weight	Approx. 95 g	
Pull-out force	1.5 N	
EMC	Refer to output specification	

Order code WS31

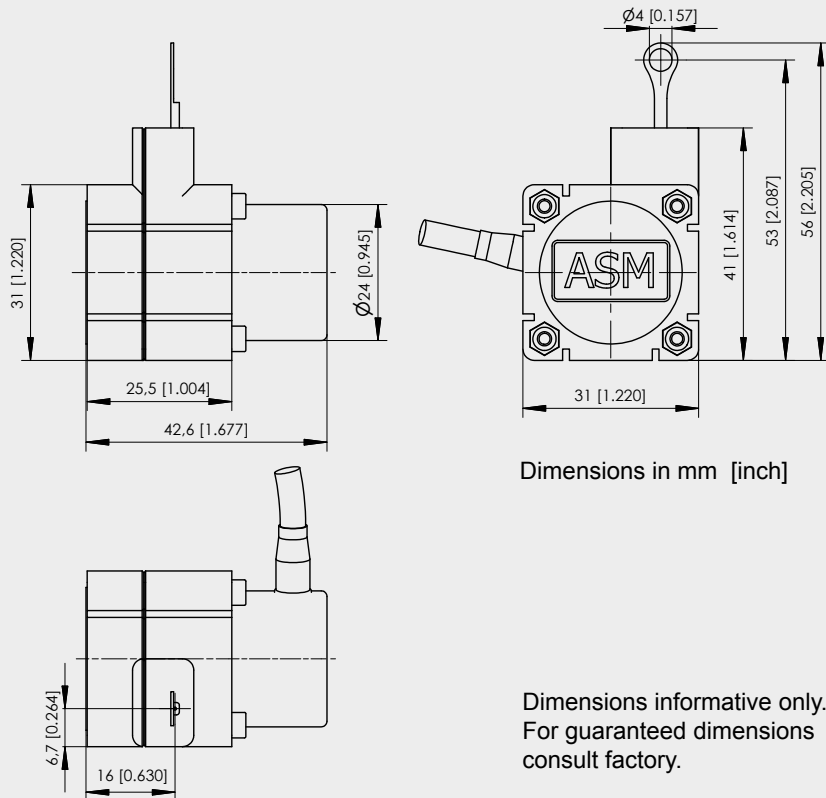


Order example: WS31 - 500 - 10 - IE24HI - 1

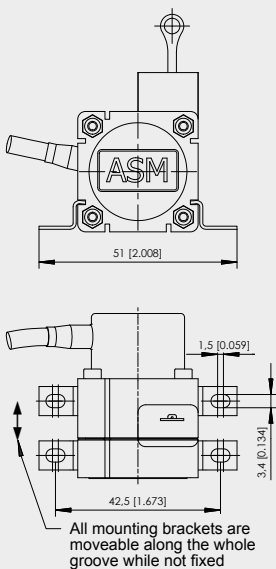
POSIWIRE®
WS31
Incremental Encoder Output



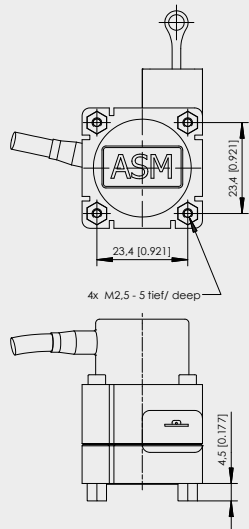
Outline drawing



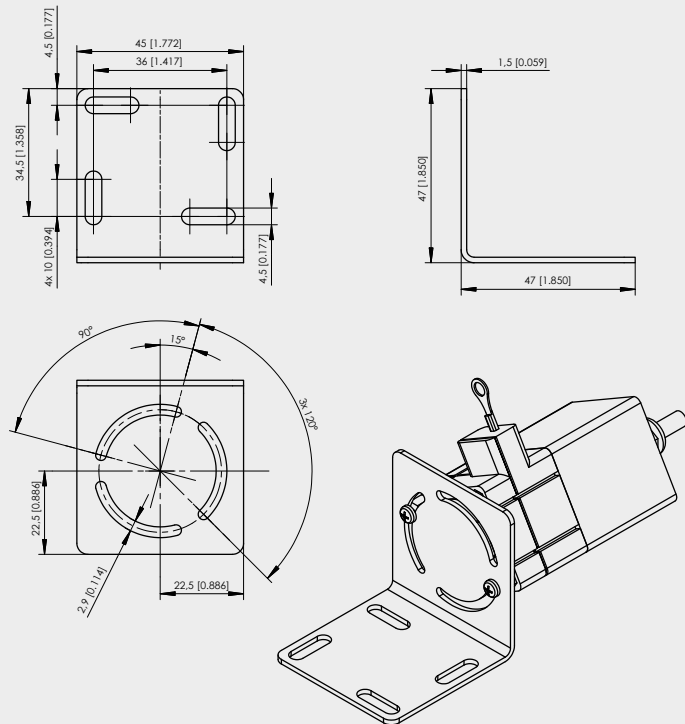
**Mounting with
 mounting brackets**



**Mounting with
 spacer nuts**



**Mounting bracket
 WS31-BFW1**

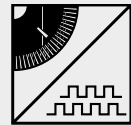


POSIWIRE®
WS42
Incremental Encoder Output



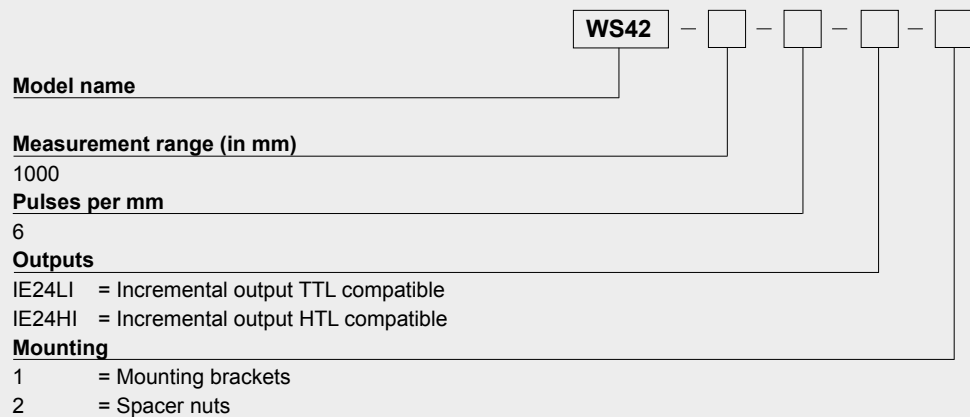
Compact OEM sensor for large order volumes

- Protection class IP50
- Economical design
- Compact outline
- Measurement range 0 ... 1000 mm
- Resolution 6 pulses per mm
- Mounting optional with mounting brackets or spacer nuts with internal thread
- Incremental encoder output



Specifications		
Output	Incremental encoder	
Resolution	6 pulses per mm	
Linearity	±0.20% f.s., other values on request	
Sensing device	Incremental encoder	
Material	Housing: plastic; cable drum: aluminum; cable: stainless steel	
Protection class	IP50	
Connection	Cable output radial, length approx. 3 m	
Temperature	0 ... +60 °C, max. 85 % r.h., non condensing	
Weight	Approx. 130 g	
Pull-out force	1.7 N	
EMC	Refer to output specification	

Order code WS42

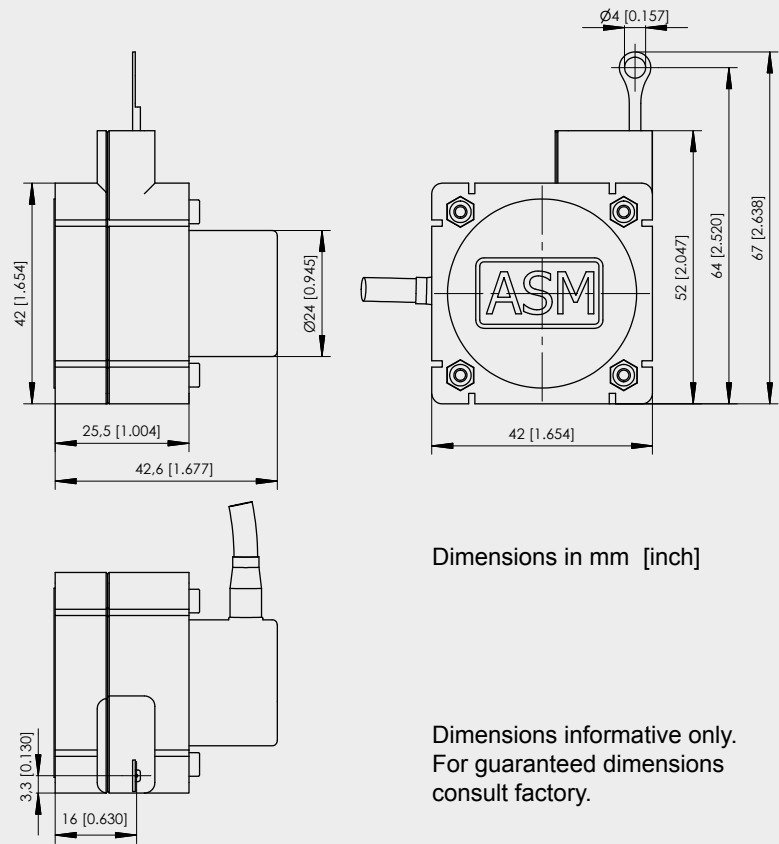


Order example: WS42 - 1000 - 6 - IE24LI - 1

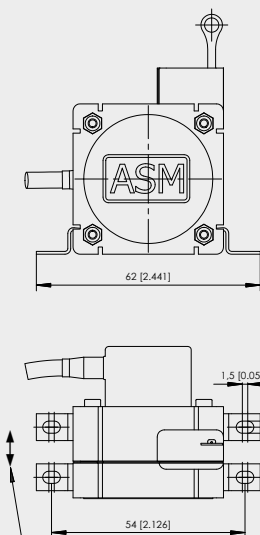
POSIWIRE®
WS42
Incremental Encoder Output



Outline drawing

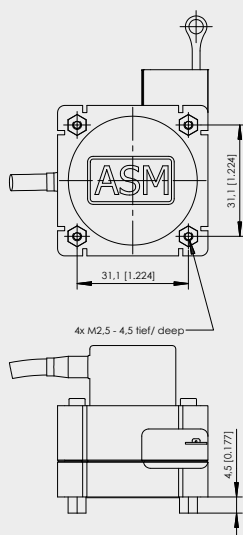


**Mounting with
 mounting brackets**

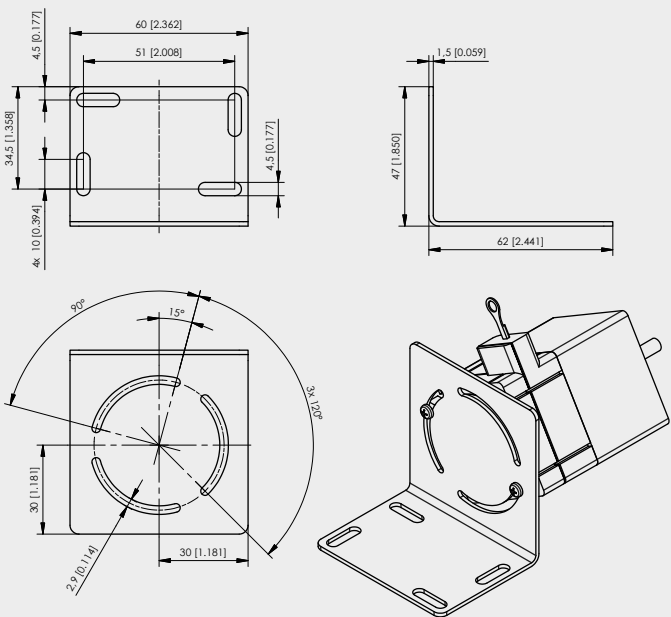


All mounting brackets are moveable along the whole groove while not fixed

**Mounting with
 spacer nuts**



**Mounting bracket
 WS42-BFW1**

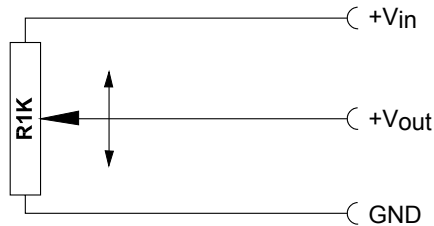


POSIWIRE® R1K and 10V Analog Output

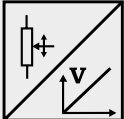


Voltage divider R1K Potentiometer 	Excitation voltage	32 V DC max. at 1 kΩ (max. power 1 W)
	Potentiometer impedance	1 kΩ ±10 %
	Thermal coefficient	±25 x 10 ⁻⁶ / °C f.s.
	Sensitivity	Depends on the measuring range, individual sensitivity of the sensor is specified on the label
	Voltage divider utilization range	Approx. 3 % ... 97 %
	Operating temperature	-20 ... +85 °C

Output signals



Note: The Potentiometer must be connected as a voltage divider. The input impedance of the following processing circuit should be 10 MΩ min.

Signal conditioner 10V and 10V5 Voltage output 	Excitation voltage	18 ... 27 V DC non stabilized
	Excitation current	20 mA max.
	Output voltage	10V: 0 ... 10 V DC; 10V5: 0.5 ... 10 V DC
	Output current	2 mA max.
	Output load	> 5 kΩ
	Stability (temperature)	±50 x 10 ⁻⁶ / °C f.s.
	Protection	Reverse polarity, short circuit
	Output noise	0.5 mV _{RMS}
	Operating temperature	-20 ... +85 °C
	EMC	According EN 61326:2006

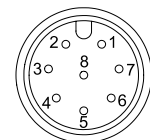
Output signals



Signal wiring	Signal name R1K	10V	Cable color	Connector pin no.
+Vin		Excitation +	White	1
GND		Excitation GND	Brown	2
+Vout		Signal +	Green	3
		Signal GND	Yellow	4

Connection

View to sensor connector



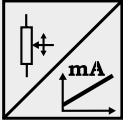
CONN-M12-8F

POSIWIRE®

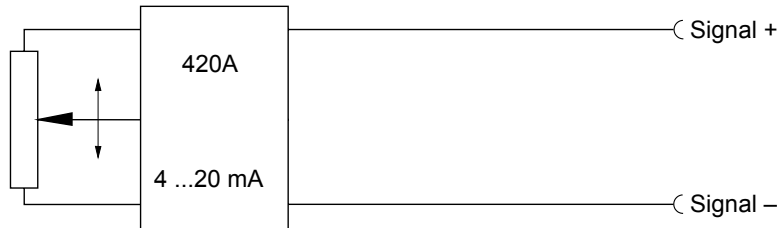
420A and 420T

Analog Output



Signal conditioner 420A Current output (2 wire) 	Excitation voltage	12 ... 27 V DC non stabilized, measured at the sensor terminals
	Excitation current	35 mA max.
	Output current	4 ... 20 mA equivalent for 0 ... 100 % range
	Stability (temperature)	$\pm 100 \times 10^{-6} / ^\circ\text{C}$ f.s.
	Protection	Reversed polarity, short circuit
	Output noise	0.5 mV _{RMS}
	Operating temperature	-20 ... +85 °C
	EMC	According to EN 61326:2006

Output signals



Signal conditioner 420T Current output (3 wire) 	Excitation voltage	18 ... 27 V DC non stabilized
	Excitation current	40 mA max.
	Load resistor	350 Ω max.
	Output current	4 ... 20 mA equivalent for 0 ... 100 % range
	Stability (temperature)	$\pm 50 \times 10^{-6} / ^\circ\text{C}$ f.s.
	Protection	Reverse polarity, short circuit
	Output noise	0.5 mV _{RMS}
	Operating temperature	-20 ... +85 °C
	EMC	According to EN 61326:2006

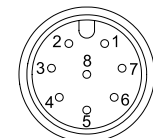
Output signals



Signal wiring	Signal name		Cable color	Connector pin no.
	420A	420T		
Signal +		Excitation +	White	1
Signal -		Excitation GND	Brown	2
		Signal +	Green	3

Connection

View to sensor connector

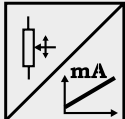
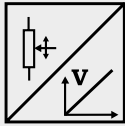


CONN-M12-8F

POSIWIRE® PMUV / PMUI Programmable Analog Output



Signal conditioner PMUV / PMUI Voltage or current output (3 wire)	Excitation voltage	18 ... 27 V DC
	Excitation current	50 mA max.
	Voltage output PMUV	0 ... 10 V
	Output current	10 mA max.
	Output load	1 kΩ min.
	Current output PMUI	4 ... 20 mA (3 wire)
	Working resistance	500 Ω max.
	Scaling	
	Activation of offset and gain adjust	Connect with excitation GND (0 V)
	Scalable range	90% max. f.s.
	Stability (temperature)	±50 x 10 ⁻⁶ / °C f.s.
Operating temperature	-20 ... +85 °C	
Protection	Reversed polarity, short circuit	
EMC	According to EN 61326:2006	



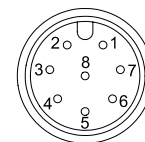
Output signals



Signal name	Connector pin no.
Excitation +	1
Excitation GND	2
Signal +	3
Signal GND	4
Not used	5
Not used	6
Offset	7
Gain	8

Connection

View to sensor
connector

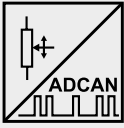


CONN-M12-8F

Signal name	Connector pin no.
Excitation +	1
Excitation GND	2
Not used	3
Not used	4
Signal +	5
Signal GND	6
Offset	7
Gain	8

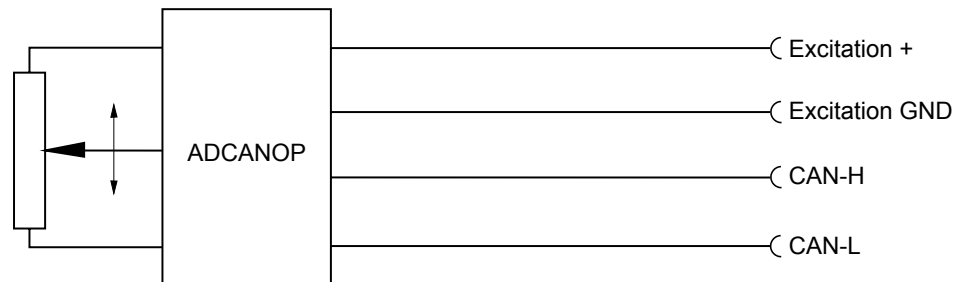
POSIWIRE® ADCANOP A/D Converted CANopen Bus



Interface ADCANOP 	Communication profile	CANopen CiA 301 V 4.02, Slave
	Encoder profile	Encoder CiA 406 V 3.2
	Error Control	Node Guarding, Heartbeat, Emergency Message
	Node ID	Adjustable via LSS
	PDO	3 TxPDO, 0 RxPDO, no linking, static mapping
	PDO Modes	Event-/Time triggered, Remote-request, Sync cyclic/acyclic
	SDO	1 server, 0 client
	CAM	2 cams
	Certified	Yes
	Transmission rates	50 kBaud to 1 MBaud, adjustable via LSS
	Nodes	127 max.
	Bus connection	M12 connector, 5 pins
	Integrated bus terminating resistor	No
	Bus, galvanic isolated	No

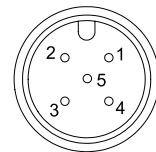
Specifications	Excitation voltage	8 ... 36 V DC
	Excitation current	Typ. 15/30 mA for 24/12 V, max. 100 mA
	Resolution	16 bit f.s.
	Measuring rate	1 kHz (asynchronous)
	Stability (temperature)	$\pm 50 \times 10^{-6}$ / °C f.s.
	Repeatability	1 LSB
	Operating temperature	-20 ... +85 °C
	Protection	Reverse polarity, short circuit
	Dielectric strength	1 kV (V AC, 50 Hz, 1 min.)
	Environment - EMC Automation	EN 61326:2006

Signal diagram



View to sensor connector

Signal wiring / connection	Signal name	Connector pin no.
	Shield	1
	Excitation +	2
	GND	3
	CAN-H	4
	CAN-L	5



POSIWIRE® PP530 Incremental Output

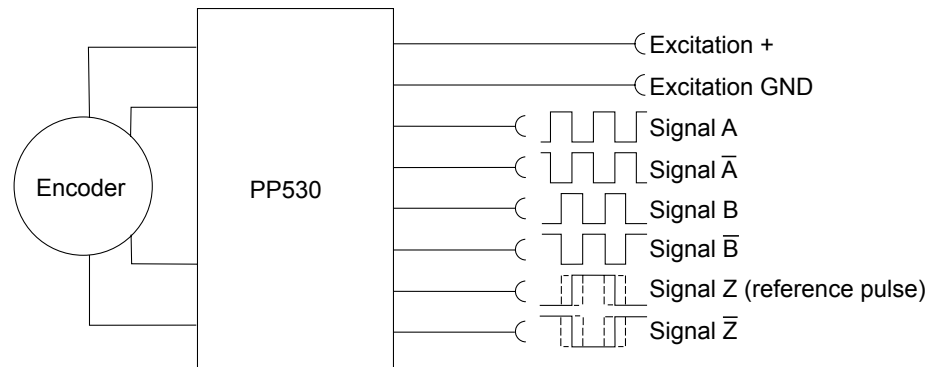


Signal conditioner PP530 Incremental

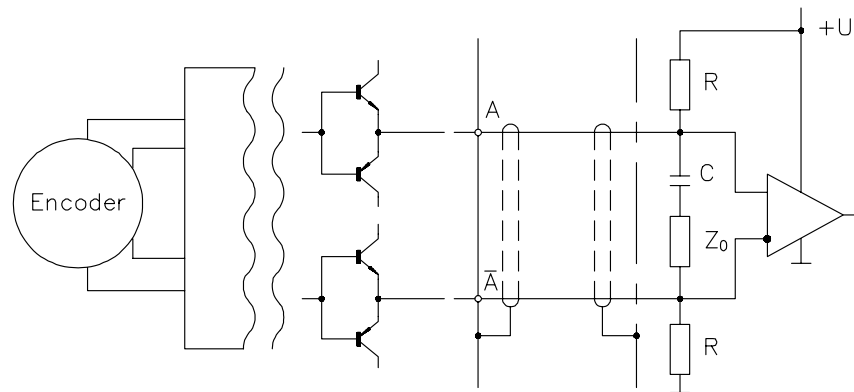


Excitation voltage	5 ... 30 V DC
Excitation current	25 mA typ. (w/o load), 200 mA max.
Output frequency	200 kHz max.
Output	Linedriver, Push-Pull, CMOS, TTL- and HTL-compatible
Output current	30 mA max.
Output voltage	Depends on the excitation voltage (e.g. to obtain TTL signals the excitation voltage must be 5 V). Compatible to EIA RS422/RS485
Saturation voltage high/low	$I_a < 10 \text{ mA}, U_B 5 \text{ V}/24 \text{ V}: < 0.5 \text{ V}$ $I_a < 30 \text{ mA}, U_B 5 \text{ V}/24 \text{ V}: < 1 \text{ V}$
Stability (temperature)	$\pm 20 \times 10^{-6} / ^\circ\text{C}$ f.s. (sensor mechanism)
Operation temperature	-10 ... +70 °C
Storage temperature	-30 ... +80 °C
Transition time positive edge	<200 ns
Transition time negative edge	<200 ns
Protection	Reverse polarity, short circuit
EMC	According to EN 61326:2006

Signal diagram



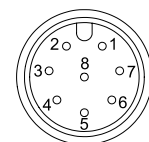
Recommended processing circuit



Signal wiring / connection

Output signal name	Connector pin no.
Excitation +	1
Excitation GND (0 V)	2
Signal A	4
Signal \bar{A}	6
Signal B (A + 90°)	3
Signal \bar{B}	5
Signal Z (reference pulse)	7
Signal \bar{Z}	8

View to sensor connector



CONN-M12-8F

POSIWIRE®

IE24LI and IE24HI

Incremental Output

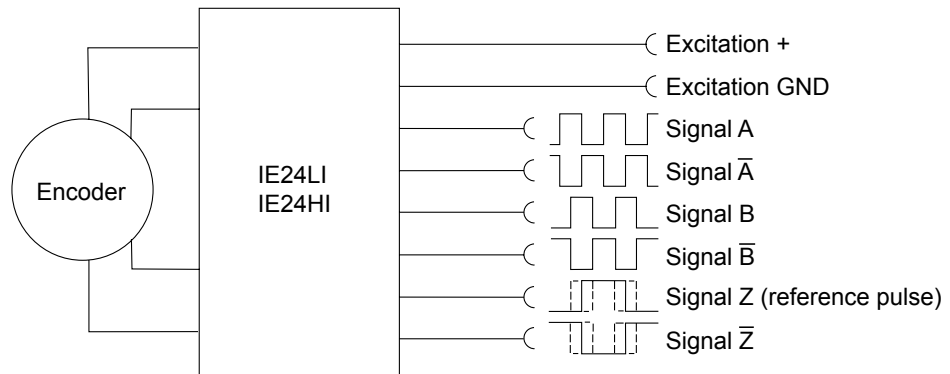


Signal conditioner IE24LI and IE24HI Incremental

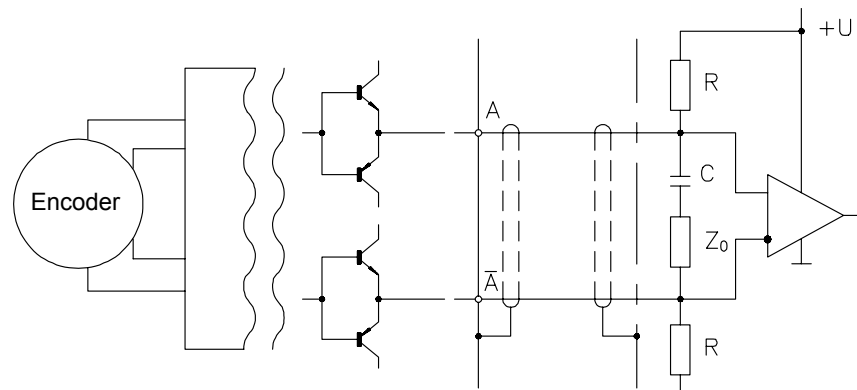


	IE24LI	IE24HI
Excitation voltage	5 V DC $\pm 10\%$	10 ... 30 V DC
Excitation current	100 mA max.	
Output frequency	200 kHz max.	
Output	Push pull and inverted signals	
Output current	10 mA max.	
Output voltage	Depending on the excitation voltage	
Stability (temperature)	$\pm 20 \times 10^{-6}$ / °C f.s. (sensor mechanism)	
Operating temperature	-20 ... +85 °C	
Protection	Short circuit	
EMC	According to EN 61326:2006	

Output signals



Recommended processing circuit



Signal wiring	Signal name	Cable color (WS31/42)
	Excitation +	Brown
	Excitation GND (0 V)	White
	Signal A	Green
	Signal \bar{A}	Yellow
	Signal B (A + 90°)	Gray
	Signal \bar{B}	Pink
	Signal Z (reference pulse)	Blue
	Signal \bar{Z}	Red

POSIWIRE®

IE41LI and IE41HI

Incremental Output

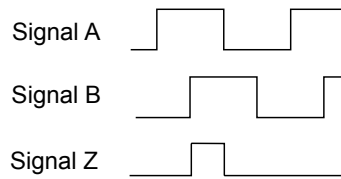


Signal conditioner IE41LI and IE41HI Incremental

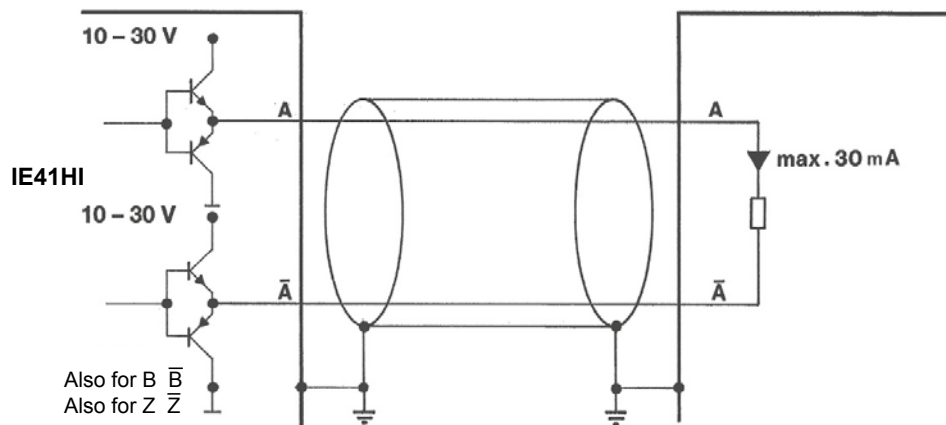
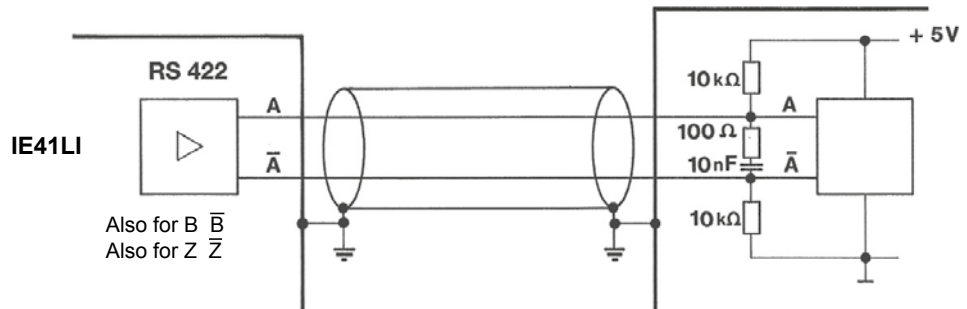


	IE41LI	IE41HI
Excitation voltage	5 V DC $\pm 10\%$	10 ... 30 V DC
Excitation current	150 mA max. w/o load	
Output frequency	300 kHz max.	200 kHz max.
Output	RS422	Push-pull antivalent
Output current	± 30 mA max.	30 mA
Output voltage	Depending on the excitation voltage	
Stability (temperature)	$\pm 20 \times 10^{-6}$ / °C f.s. (sensor mechanism)	
Operating temperature	-10 ... +70 °C	
Protection against short circuit	One channel for 1 s	Yes
EMC	According to EN 61326:2006	

Output signals



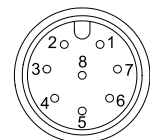
Recommended processing circuit



Signal wiring / connection

Signal name	Connector pin no. WS10	Connector pin no. WS12
Excitation +	1	1
Excitation GND (0 V)	2	2
Signal A	4	3
Signal \bar{A}	6	5
Signal B (A + 90°)	3	4
Signal \bar{B}	5	6
Signal Z (reference pulse)	7	7
Signal \bar{Z}	8	8


View to sensor
connector

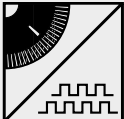


CONN-M12-8F

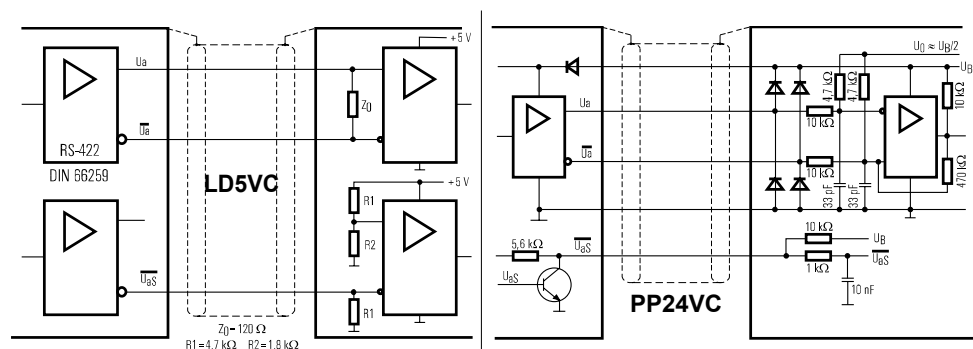
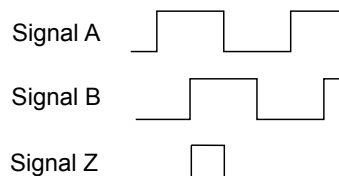
POSIWIRE® LD5VC and PP24VC Incremental Output



Signal conditioner LD5VC Incremental 	Interface	Line driver RS422
	Excitation voltage	5 V DC $\pm 10\%$
	Excitation current	150 mA max. w/o load
	Output frequency	300 kHz max.
	Output current	20 mA per channel
	Signal level	
	Ud High at Id=20 mA	≥ 2.5 V
	Ud Low at Id=20 mA	≤ 0.5 V
	Transition time positive edge	<100 ns
	Transition time negative edge	<100 ns
	Stability (temperature)	$\pm 20 \times 10^{-6}$ / °C f.s. (sensor mechanism)
	Operation temperature	-20 ... +85 °C
	Protection	Short circuit, overvoltage
EMC	According to EN 61326:2006	

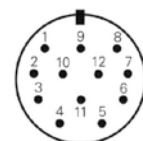
Signal conditioner PP24VC Incremental 	Interface	Push-pull line driver (24 V-HTL)
	Excitation voltage	10 ... 30 V DC
	Excitation current	150 mA max. w/o load
	Output frequency	300 kHz max.
	Output current	100 mA per channel
	Signal level	
	Ud High at Id=20 mA, Ub=24 V	≥ 21 V
	Ud Low at Id=20 mA, Ub=24 V	≤ 2.8 V
	Transition time positive edge	<200 ns
	Transition time negative edge	<200 ns
	Stability (temperature)	$\pm 20 \times 10^{-6}$ / °C f.s. (sensor mechanism)
	Operating temperature	-20 ... +85 °C
	Protection	Reverse polarity, short circuit, overvoltage
EMC	According to EN 61326:2006	

Output signals



Signal name	CONN-CONIN-12F, connector pin no.
Excitation +	12
Excitation GND (0 V)	10
Signal A	5
Signal \bar{A}	6
Signal B (A + 90°)	8
Signal B	1
Signal Z (reference pulse)	3
Signal \bar{Z}	4
Fault detection signal \bar{U}_{as}	7
Shield	Housing

View to sensor connector



CONN-CONIN-12F

POSIWIRE®

ADSI16

A/D Converted SSI Output

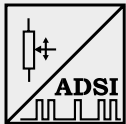


- Resolution 16 bit, synchronous serial data transmission/SSI
- Optional available with 12 bit (ADSI) or 14 bit (ADSI14) resolution
- No loss of data at power down
- Easy to connect to PLC's with SSI input circuitry

Description

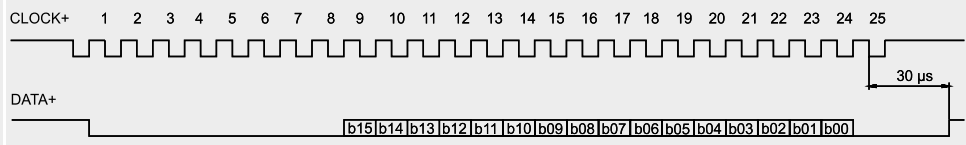
The sensing device of the ADSI is a precision potentiometer. The position information is given by an analog/digital converter output serialized as a data word. Data transmission takes place by means of the signals CLOCK and DATA. The processing unit (PLC, Micro-computer) sends pulse sequences which clock the data transmission with the required transfer rate. With the first falling edge of a pulse sequence the position of the sensor is recorded and stored. The following rising edges control the bit-by-bit A/D conversion, encoding and output of the data word. After a delay time the next new position information will be transmitted.

Signal conditioner ADSI16 A/D converted synchronous serial

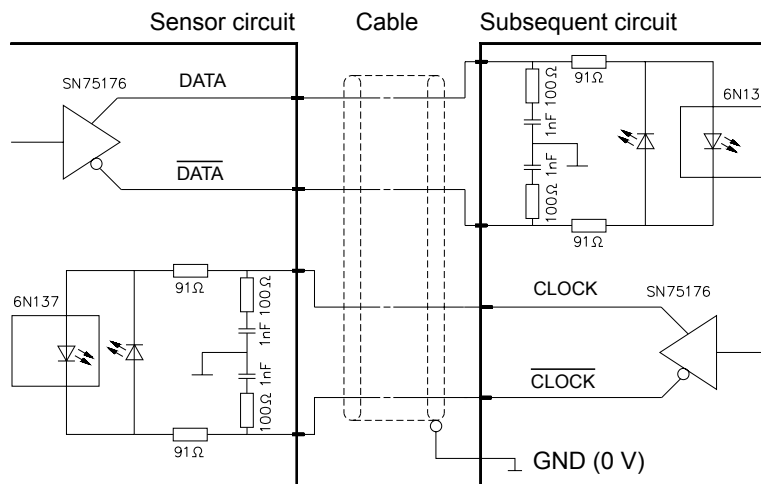


Interface	EIA RS422, RS485, short-circuit proof
Excitation voltage	11 ... 27 V DC
Excitation current	200 mA max.
Clock frequency	70 ... 500 kHz
Code	Gray code, continuous progression
Delay between pulse trains	30 µs min.
Resolution	16 bit (65536 counts) f.s.; optional 12 (ADSI) bit resp. 14 bit (ADSI14)
Stability (temperature)	±50 x 10 ⁻⁶ / °C f.s.
Operating temperature	-20 ... +85 °C
EMC	According to EN 61326:2006

Data format (train of 26 pulses)



Recommended processing circuit



Transmission rate

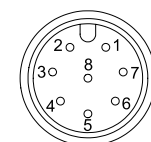
Cable length	Baud rate
< 50 m	< 300 kHz
< 100 m	< 100 kHz

Note:

Extension of the cable length will reduce the maximum transmission rate.

Signal wiring

Signal name	Connector pin no.
Excitation +	1
Excitation GND (0 V)	2
CLOCK	3
$\overline{\text{CLOCK}}$	4
DATA	5
$\overline{\text{DATA}}$	6
Shield	not connected



CONN-M12-8F


View to sensor
connector

POSIWIRE®

HSSI

Absolute SSI Encoder



Signal conditioner HSSI Absolute encoder synchronous serial 	Excitation voltage	10 ... 30 V DC
	Excitation current	100 mA
	Interface	Standard SSI
	Lines / drivers	Clock and data / RS422
	Code	Gray
	Resolution	12 + 12 Bit
	3 dB cutoff frequency	500 kHz
	Control input	$\overline{\text{Direction}}$
	Preset key	Zero adjustment with optical response
	Alarm output	Alarm bit (SSI option), warning bit
	Status LED	Green = OK, red = alarm
	Connection	12 pin male socket

Data format	Resolution	Clock												
		T1	T2	T3	...	T12	T13	...	T21	T22	T23	T24	T25	T26
		Data bits												
24 bit	M11	M10	M9	...	M0	S11	...	S3	S2	S1	S0	0		

Mx = multiturn bits, Sx = singleturn bits

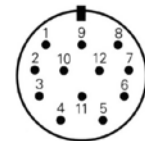
Transmission rate	Cable length	Baud rate	Note: Extension of the cable length will reduce the maximum transmission rate.
	< 50 m	< 400 kHz	
	< 100 m	< 300 kHz	
	< 200 m	< 200 kHz	
	< 400 m	< 100 kHz	

Signal wiring	Signal name	Color	Connector pin no.
	Excitation +	White	8
	Excitation GND (0 V)	Brown	1
	CLOCK	Yellow	3
	$\overline{\text{CLOCK}}$	Green	11
	DATA	Pink	2
	$\overline{\text{DATA}}$	Gray	10
	$\overline{\text{Direction}}$ *	Blue	5
	0 V Signal output	Black	12

* Excitation + = cw increasing code, 0 V = cw decreasing code

Connection

View to sensor
connector



CONN-CONIN-12F

POSIWIRE®

HPROF

Absolute Profibus Encoder



Interface HPROF

Absolute encoder
Profibus



Excitation voltage	10 ... 30 V DC
Excitation current	250 mA
Interface	RS485
Protocol	Profibus DP with encoder profile C2
Resolution	12 (10 ... 14) + 12 bit
Output code	Binary
Baud rate	Automatically selected between 9,6 kBaud and 12 MBaud
Programmability	Resolution, preset, direction
Integrated special functions	Velocity, acceleration, operating time
Bus terminating resistor	Selectable via DIP switch
Connection	Bus cover with T manifold
EMC	EN 61326: class A

Signal wiring

Signal name	Cable terminal no. (bus cover)
U _B in	1
0V in	2
U _B out	3
0V out	4
B in	5
A in	6
B out	7
A out	8

POSIWIRE®

HINT

Absolute Interbus Encoder




Interface HINT Absolute encoder Interbus 	Excitation voltage	10 ... 30 V DC
	Excitation current	250 mA
	Interface	Interbus, ENCOM profile K3 (configurable), K2
	Output code	32 Bit binary
	Baud rate	500 kBaud
	Data refresh	Every 600 µs
	Resolution	12 (10 ... 14) + 12 bit
	Programmability	Direction, preset, offset, resolution
	Connection	Bus cover with T manifold
	EMC	EN 50081-2, EN 50082-2

Data format Interbus K2/K3		Differential signals (RS485) ENCOM profile K3, K2, 32 Bit, binary process data				
	DT-Format	Supi address	0	1	2	3
	(according to the Phoenix company)	Byte No.	3	2	1	0
	ID code K2	36 H (= 54 dec.)				
	ID code K3	37 H (= 55 dec.)				

Signal wiring	Signal name	Cable terminal no. (bus cover)
		U _B +
	GND	2
	DI1	3
	$\overline{DI1}$	4
	DO1	5
	$\overline{DO1}$	6
	DO2	7
	$\overline{DO2}$	8
	DI2	9
	$\overline{DI2}$	10
	RBST	11
	GND	12

POSIWIRE®
HDEV
Absolute DeviceNet Encoder



Interface HDEV Absolute encoder DeviceNet 	Excitation voltage	10 ... 30 V DC
	Excitation current	250 mA
	Interface	CAN highspeed according to ISO/DIS 11898 CAN specification 2.0 A (11 bit identifier)
	Protocol	DeviceNet according rev. 2.0, programmable encoder
	Resolution	12 (10 ... 14) + 12 bit
	Output code	Binary
	MAC-ID	Selectable via DIP switch
	Data refresh	Every 5 ms
	Baud rate	Selectable via DIP switch: 125 kBaud, 250 kBaud, 500 kBaud
	Programmability	Resolution, preset, direction
	Bus terminating resistor	Selectable via DIP switch
	Connection	Bus cover with T manifold
	EMC	EN 50081-2, EN 50082-2
Recommended transmission	Characteristic impedance	135 ... 165 Ω (3 ... 20 MHz)
	Operating capacity	< 30 pF
	Loop resistance	< 110 Ω/km
	Wire diameter	> 0.63 mm
	Wire width	> 0.34 mm ²
Transmission rate	Segment length	Kbit/s
	500 m	125
	250 m	250
	100 m	500
Signal wiring	Signal name	Cable terminal no. (bus cover)
	U _b in	1
	0V in	2
	CAN-L	3
	CAN-H	4
	Drain	5
	Drain	6
	CAN-H	7
CAN-L	8	

POSIWIRE®
HCAN/HCANOP
Absolute CAN / CANopen Encoder



Interface
HCAN/HCANOP
 Absolute encoder
 CANopen/CAN Layer 2



Excitation voltage	10 ... 30 V DC
Excitation current	250 mA
Interface	CAN highspeed according to ISO/DIS 11898
Protocol	CANopen according DS301 with encoder profile DSP406, programmable encoder according class C2
Resolution	12 (10 ... 14) + 12 bit
Output code	Binary
Data refresh	Every millisecond (selectable), on request
Baud rate	Selectable 10 up to 1000 kbit/s
Base identifier	Selectable via DIP switch
Programmability	CANopen: direction, resolution, preset, offset CAN L2: direction, limit values
Integrated special functions	CANopen: velocity, acceleration, rotary axis, limit values CAN L2: direction, limit values
Connection	Bus cover with T manifold
EMC	EN 50081-2, EN 50082-2

Signal wiring

Signal name	Cable terminal no. (bus cover)
U _B in	1
0V in	2
CAN in – (dominant L)	3
CAN in + (dominant H)	4
CAN GND in	5
CAN GND out	6
CAN out + (dominant H)	7
CAN out – (dominant L)	8
0V out	9
U _B out	10

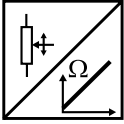
POSIWIRE®

R1K and 10V

Output Information for WS Position Sensors

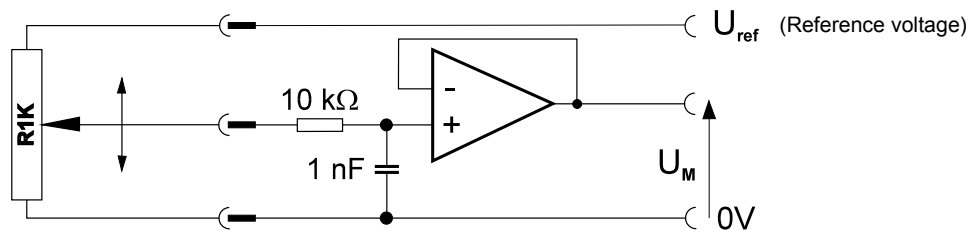


Voltage divider R1K Potentiometer

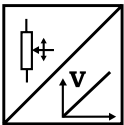


The output signal is the ratiometric voltage of a potentiometer. The potentiometer is supplied by a reference voltage source. The ratio of the output signal to the reference voltage is proportional to the measuring cable extension. For optimum performance of the sensor 94% (3% to 97%) of the potentiometers total span is used for the specified measurement range. Provision for setting the electrical zero and voltage amplification must be made in the subsequent signal processing circuit. To avoid linearity error the output load should be as low as possible. Therefore the input impedance of the processing circuit must be $\geq 10\text{ M}\Omega$.

Processing of the output signal

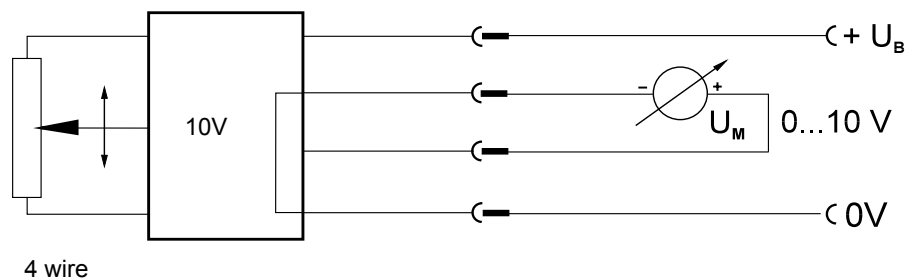
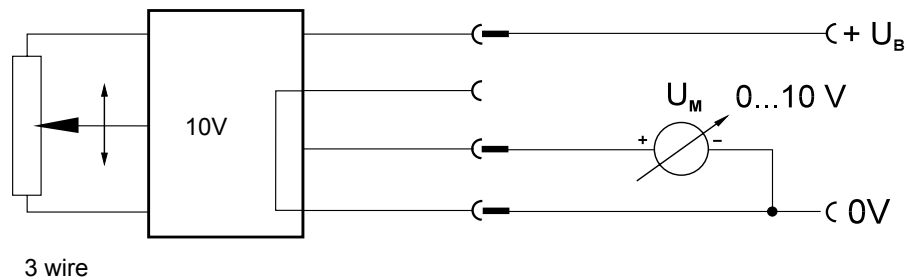


Voltage output 10V 0 ... 10 V



This output signal is 0 to 10 Volts proportional to the measuring cable extension of 0 to 100%. This is an industry standard output which is widely accepted because of its simple signal processing and suitability for all display, recording and automation systems. For analog signal processing the voltage output is the proven best choice, e.g. for Waveform Analyzers, Data Loggers and for analog and digital Oscilloscopes. ASM's 0...10 V output supports a wide range of excitation voltages and is well protected against electromagnetic interference.

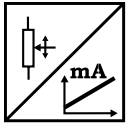
Processing of the output signal



The above information is provided as a user guide only and is not part of our specific technical product data.

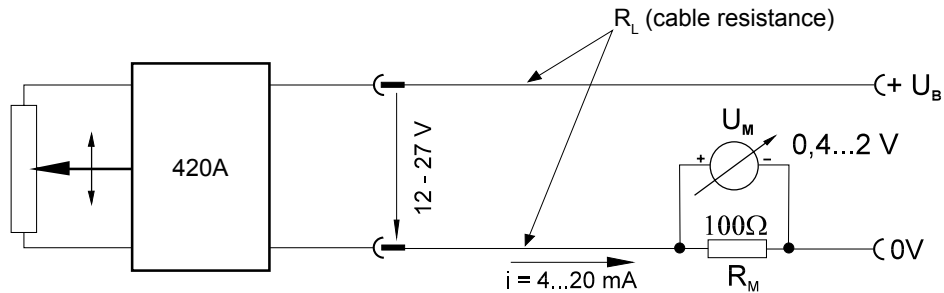
Output Information for WS Position Sensors

Current output 420A
 4 ... 20 mA (2 wire)

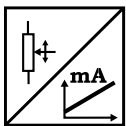


This output signal is a 4 to 20 mA current loop proportional to the measuring cable extension of 0 to 100%. It is an industry standard two-wire system for the transmission of measured values. The current loop is both measurement signal and sensor excitation current. The measured value is represented as a voltage drop across a load resistor R_M . The current is constant and the signal cable resistance (R_L) will have no effect on the measured value. Therefore long signal cables can be used, limited only by the cable resistance (impedance). Signal cable disconnection or failure can be detected by a 0 mA current signal.

Processing of the output signal

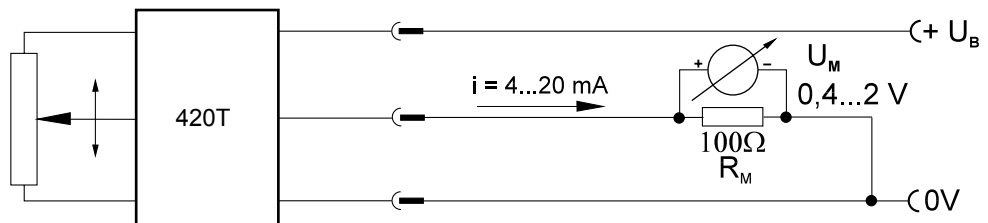


Current output 420T
 4 ... 20 mA (3 wire)



This output signal is a 4 to 20 mA current loop (alternatively 0 to 20 mA) proportional to the measuring cable extension of 0 to 100%. The 3 wire current loop system is especially resistant to electromagnetic interference because of the separate sensor excitation and the low resistance (impedance) of the signal processing electronics. As in the two-wire system the measured value is represented as a voltage drop across a load resistor R_M and is, within limits, independent of the cable resistance (impedance).

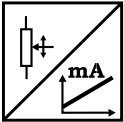
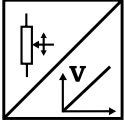
Processing of the output signal



The above information is provided as a user guide only and is not part of our specific technical product data.

Signal conditioner PMUV/PMUI, adjustable

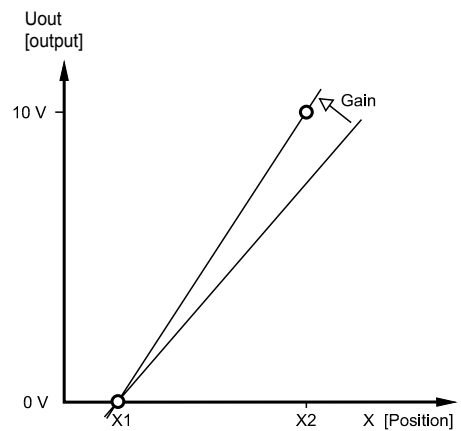
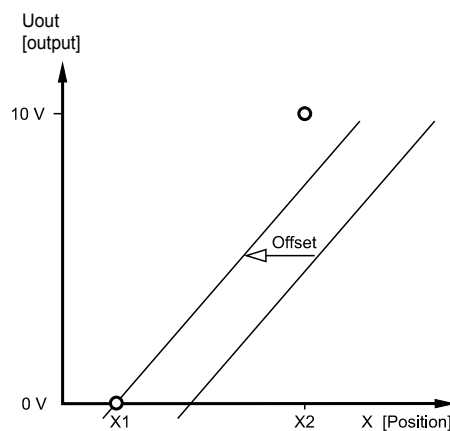
Voltage or
current output



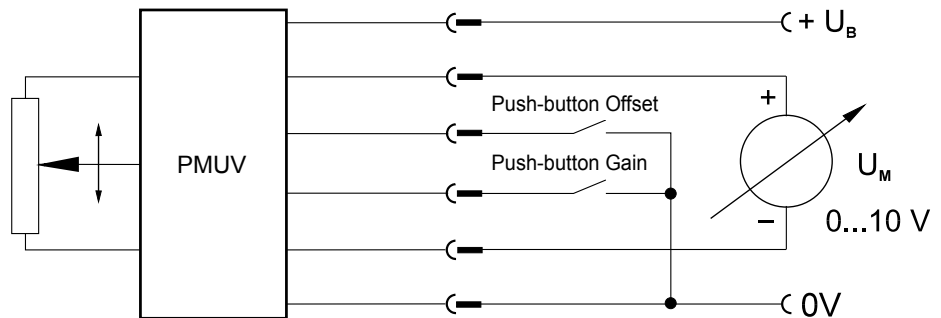
The signal conditioner PMU has voltage **or** current output. The minimum and maximum output values can be adjusted by using the two push-buttons **Offset** and **Gain**.

Setting up procedure: Move the sensor to the required start (zero) position and depress and release the **Offset** pushbutton. The signal conditioner will be adjusted automatically to the 0 V or 4 mA output level. Using a similar procedure, move the sensor to the full scale position, depress and release the **Gain** pushbutton, and the signal conditioner will automatically be adjusted for full scale output.

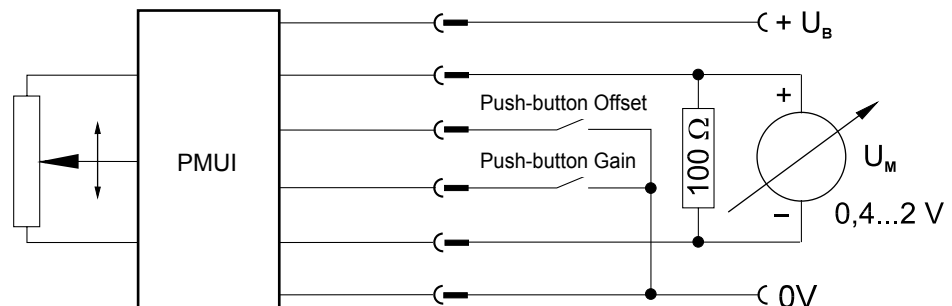
Adjustment of the minimum and maximum value



Suggested output circuit PMUV (0 ... 10 V)



Suggested output circuit PMUI (4 ... 20 mA)



The above information is provided as a user guide only and is not part of our specific technical product data.

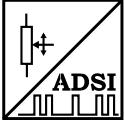
POSIWIRE®

ADSI, SSI, IExxLI / IExxHI and RS232

Output Information for WS® Position Sensors



ADSI16
A/D converted
synchronous
serial output



The sensing device of the ADSI16 is a precision potentiometer. The position information is given by the analog/digital converter output as a data word. The data transmission takes place by means of the signals CLOCK and DATA. The processing unit (PLC, Microcomputer) sends pulse sequences which clock the data transmission at the required transfer rate. With the first falling edge of a pulse sequence the position of the sensor is recorded and stored. The following rising edges control the bit-by-bit A/D conversion, encoding and output of the data word. After a delay time the next new position information will be transmitted.

ADSI16 is the cost-effective solution where a synchronous serial interface with a high transmission rate is required. It can be connected to all automation systems with SSI input circuits.

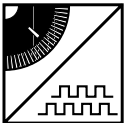
SSI
Absolute encoder
with synchronous
serial output



The sensing device of the SSI is a 24-bit absolute multiturn encoder. Parallel information is fed into a shift register and the processing unit (PLC, Microcomputer) sends pulse sequences which clock the shift register at the required transfer rate. With the first falling edge of the pulse sequence the position of the sensor is recorded and stored. The following rising edges control the bit-by-bit transmission of the data word. After a delay time the next new position information will be transmitted.

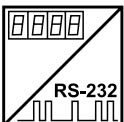
The SSI synchronous serial interface is an industry standard output and is supported by most suppliers of automation systems.

IExxLI and IExxHI
Incremental output



The cable extension is measured and incrementally transmitted as a sequence of square pulses. Output signals A, B in quadrature format are provided. After switching on the power the signal processing circuit can be synchronised by a periodic index (reference) pulse Z and/or a reference switch placed along the measurement range of the sensor. Because of the direct digitising and the delay-free transmission of the measured value this output is particularly good for positioning applications with high resolution requirements. Depending on the excitation voltage the output levels are compatible with TTL/RS-422 or HTL.

RS-232
Serial interface



ASM Position Sensors can be connected to a PC, a Laptop or a process automation system by using them in conjunction with the ASM Process Meters PRODIS-ADC or PRODIS-INC which all have an RS-232 Interface. Data transmission is easily achieved with ASCII commands from any computer with standard terminal programs or from all common programming languages.

Electromagnetic interference and cabling

Screened cables should always be used for the sensors electrical connection. If the GND (Common) connection between the sensor and signal processing unit is not of a low resistance or different reference potentials exist then the common cable screen should only be connected at the signal processing unit end. To limit high frequency effects on sensors and signal cables the common screen should be connected at both ends and a separate GND connection between the sensor and signal processing unit must be installed. If a separate ground connection is not possible, then only one end of the cable screen should be connected to avoid current flow in the cable screen.

The above information is provided as a user guide only and is not part of our specific technical product data.

POSIWIRE® Calibration Data for WS® Position Sensors

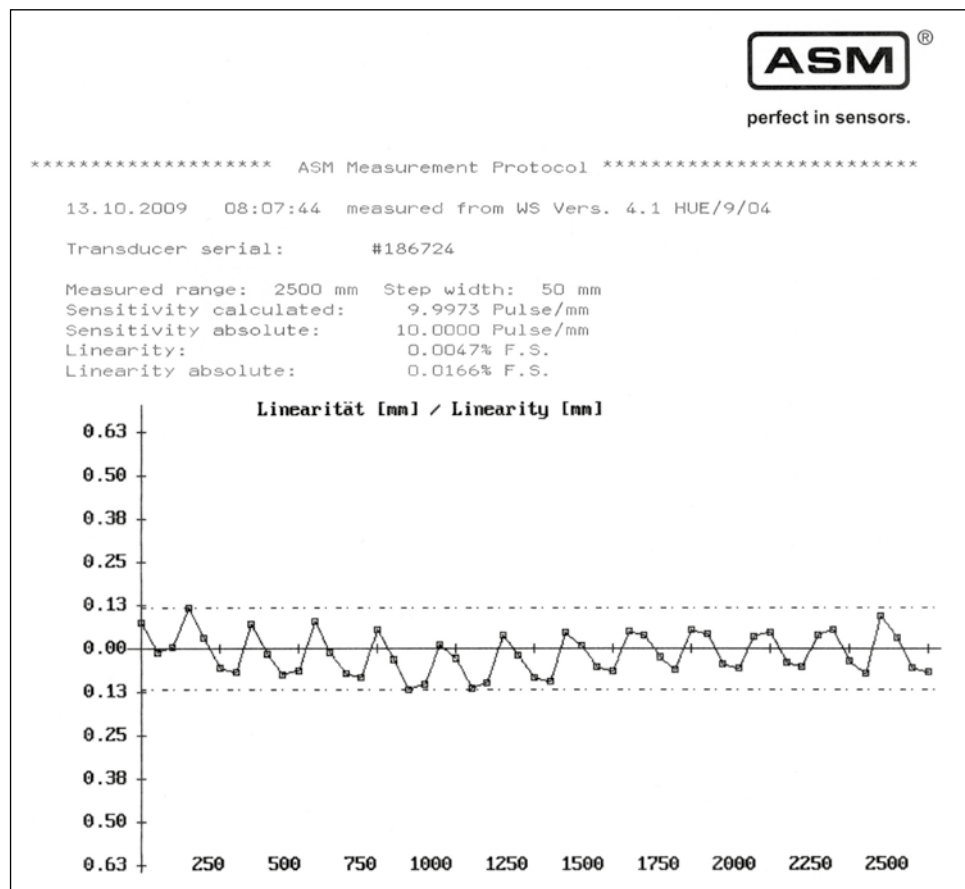


Measurement protocol document and manufacturers test certificate (ISO9001)

ASM carries out a full and complete calibration procedure on all new position sensors manufactured to ensure all units meet the required performance parameters and to maintain the highest quality standards. Each sensor is checked using state-of-the-art measuring equipment which is fully traceable to national standards. All test results are recorded. A **Measurement Protocol Document** and a **Manufacturers Test Certificate** can be issued for each sensor supplied to a customer. Both can be ordered with a new sensor or will be supplied when the sensor is re-tested. The recommended re-test period is 1 year.

Measurement protocol document (linearity)

A minimum of 50 measurement values are recorded at equidistant points along the sensors measurement range. These values are then processed to show the ideal "best-fit" line. The "best-fit" line and the measured values are shown on the graph. The sensitivity and linearity results are printed above the graph.



Order code measurement protocol document

MESSPROTOKOLL - WS - - MM

Language

D = German / E = English

Measurement range up to (mm)

1250 / 2500 / 5000 / 25000

Order example: MESSPROTOKOLL - WS - E - 5000MM

POSIWIRE®
Calibration Data
for WS® Position Sensors



Manufacturers test certificate

The Manufacturers Test Certificates produced by ASM meet the requirements of quality control standards ISO 9001, etc. The measurement system used and its traceability to national standards are fully described on the certificate and a record of all 50 measurement values is provided.

ASM-Calibration Certificate Nr.: 2009231692 Position Transducers WS/WGS - Protocol and Test Results -										
Type of transducer:	WS17KT-2500-420T-L05-M4-M12									
Serial:	WS0923269497									
Order No.:	KA072412									
Company:	Example, Inc.									
Calibration instruments:										
Stepping motor unit with crystal controlled timebase.	ASM No.:	08/001								
Precision linear module	Accuracy:	25µ/300mm								
Calibrated with Renishaw Laserinterferometer ML 10	SN:	H24152								
Certificate of Calibration No.:		H24152-100304/1								
Keithley DVM 2000 Certificate of Calibration No.:		E11713 DKD-K-05352 09-04								
Environmental:										
Temperature:	23°C ± 4°C	Humidity: 60 % ± 20 %								
Calibration procedure:										
The transducer cable is moved over at least 90% of its measurement span. At least 50 points are measured and stored in the computer. The sensitivity of the best fitting line and the corresponding linearity error is calculated and printed. The accuracy is calculated and printed (Not with R1K). A linearity diagram is also printed.										
Result:										
<table> <tr> <td>Sensitivity of best fitting line:</td> <td>0,0064 mA/mm</td> </tr> <tr> <td>Specified Sensitivity: (not noted with R1K)</td> <td>0,0064 mA/mm</td> </tr> <tr> <td>Linearity: (related to best fitting line)</td> <td>0,0282 % of F.S.</td> </tr> <tr> <td>Accuracy: (not noted with R1K)</td> <td>0,0302 % of F.S.</td> </tr> </table>			Sensitivity of best fitting line:	0,0064 mA/mm	Specified Sensitivity: (not noted with R1K)	0,0064 mA/mm	Linearity: (related to best fitting line)	0,0282 % of F.S.	Accuracy: (not noted with R1K)	0,0302 % of F.S.
Sensitivity of best fitting line:	0,0064 mA/mm									
Specified Sensitivity: (not noted with R1K)	0,0064 mA/mm									
Linearity: (related to best fitting line)	0,0282 % of F.S.									
Accuracy: (not noted with R1K)	0,0302 % of F.S.									
Specified accuracy: 0.05 % of full scale 1 measurement protocol is attached to this certificate										
Date of issue: 15.10.2009		Person responsible: i. A. Hünemörder 								

Order code manufacturers test certificate

ZERTIFIKAT - - - MM

Sensor type

WS = POSITION

Language

D = German / E = English / F = French

Measurement range up to (mm)

1250 / 2500 / 5000 / 25000

Order example: ZERTIFIKAT - WS - E - 2500MM

POSIWIRE®

Mounting hints

for WS® Position Sensors



Cable fixing

CAUTION!

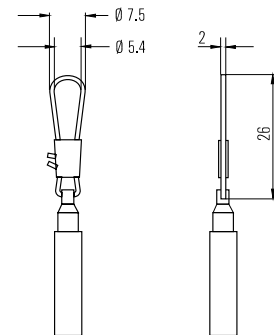
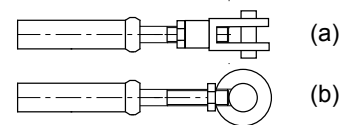
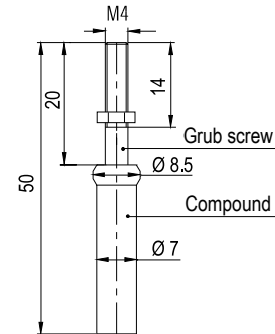
Snap back of the measuring cable during sensor mounting must be avoided or the sensor may be damaged!

Cable fixing M4 (standard)

The M4 connection consists of a M4 grub screw with locknut and a compound sleeve as cable stop block. The compound sleeve reduces the risk of cable breakage as far as possible during an uncontrolled cable return. In addition corrosion is prevented between the cable crimp and the stop block. Connection to the moving part of the machine or system is made with a through hole and a M4 nut.

Note: Do not screw the M4 connection itself into a stationary object, otherwise the measuring cable will be twisted!

The M4 cable connection is easy to use, it can be combined with the GK1 attachment head (a) or with a fastening eye (b) OE1 (accessories).



Cable clip SB0 (option)

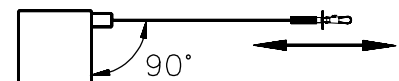
The cable clip consists of a rotatable steel clip and an compound sleeve. Connection to the moving part of the machine or system is made with an M5 set screw (Allen screw) preferably using the GK1/GK2 attachment head. The steel cable clip can be opened for easy fixing.

Cable alignment

When mounting the WS Position Sensor, linear travel of the cable must be at 90° to the sensor body face on which the cable outlet is situated (see diagram).

Important:

Any deviation from the 90° angle will reduce the lifecycle of both cable and cable outlet!

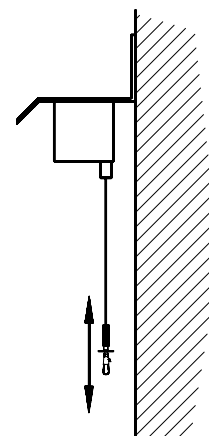


Mounting position

The WS Position Sensor must be firmly mounted in a position which allows free cable movement and where damage to the sensor or cable from foreign objects is unlikely. The sensor will operate in any orientation but where cable contamination by oil, water or particulate matter is possible the sensor should be mounted in the vertical plane with the cable pointing down (as per diagram).

Where necessary a sensor shield should be incorporated in the mounting assembly to protect the sensor from falling solids or liquid media.

It is also good practice to mount the sensor onto or close by a rigid part of the machine or system (see diagram).



The above information is provided as a user guide only and is not part of our specific technical product data.

POSIWIRE®

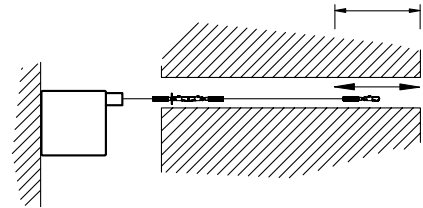
Mounting hints for WS® Position Sensors



Cable extension

In certain restricted access situations it is impossible to mount the sensor close to the part of the machine or system where the linear motion is measured. In this case the SV1 cable extension (see accessories) can be used to connect the sensor cable to the moving part (see diagram).

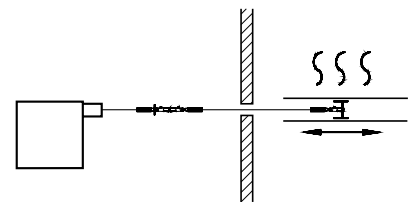
The SV1 cable extension is also ideal for applications where measurement under water is required. The WS Position sensor can be mounted in a dry, protected position above the surface and the SV1 cable extension used to connect the sensor cable to the underwater moving part.



High temperature

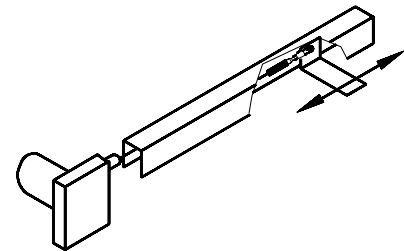
Standard WS Position Sensors and measuring cables are rated at a maximum of 85 °C ambient operating temperature. The SV1 cable extension can be used on temperatures up to 200°C. The sensor and sensor cable can be placed in a normal temperature area and the cable extension passed through a small access hole into the hot area connecting the sensor cable to the moving part (see diagram).

Please Note: Heat shielding and/or forced air cooling of the sensor is recommended where 85°C may be exceeded for even short periods.



Hostile environments

WS position sensors can be used in very hostile environments if suitable shielding and protection of the sensor and cable is provided. A shielding channel of metal or rigid plastic is recommended where cable damage or contamination may occur (see diagram).

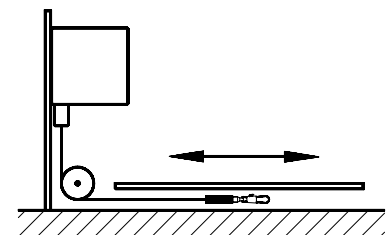


Cable runs using pulleys

The SR2 low friction cable pulley (see accessories) can be used where it is necessary to have the cable linear movement in a different plane to the sensor mounting or restricted access makes direct mounting of the sensor impossible.

The angle should not exceed 90°!

NOTE: The use of cable pulleys will reduce the lifecycle of the cable, so the use should be avoided whenever it is possible!



The above information is provided as a user guide only and is not part of our specific technical product data.

POSIWIRE® Accessories for WS® Position Sensors



Magnetic clamp MAG1

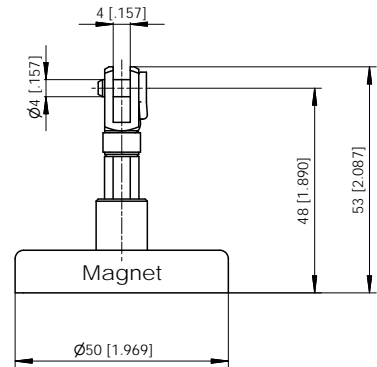
The magnetic clamp MAG1 is an easy way to fasten the measurement cable to ferromagnetic materials on the moving parts. The user can easily change from one application to another using this device.

Minimum Adhesive Force: ≥ 200 N (on bare steel)

Note: Coated surfaces will reduce the adhesive force.

Order Code:

MAG1



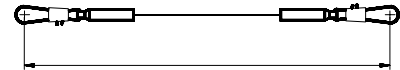
Cable extension SV1

Cable extension for ASM position sensors with cable clip

Order Code:

SV1 – **M**

Cable length in m (from 0.2 m)



Float

For best accuracy half the volume of the float has to be immersed in the fluid. The float should be filled with the same or a neutral liquid.

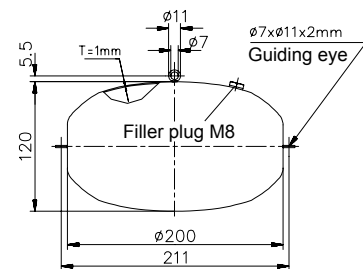
Weight: 1 kg approx.

Material: V4A Steel, DIN 1.4571

In running media the float can be stabilized by two guiding cables.

Order Code:

SCHWIMMER-200MM



POSIWIRE® Accessories for WS® Position Sensors



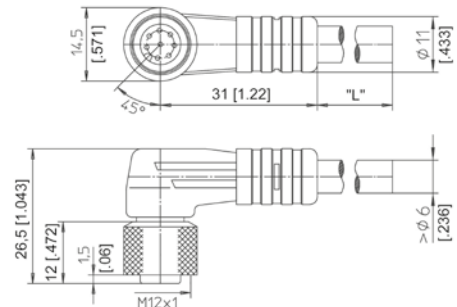
**Connector cable
for WS® position
sensors**
8 pin M12

The 8-lead shielded cable is supplied with a mating 8-pin 90° M12 connector at one end and 8 wires at the other end. Available lengths are 2 m, 5 m and 10 m. Wire: cross sectional area 0.25 mm².

Order code:

KAB - XM - M12/8F/W - LITZE
IP69K: KAB - XM - M12/8F/W/69K - LITZE

Length in m



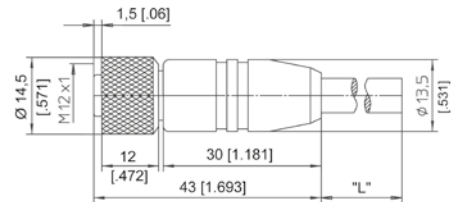
**Connector cable
for WS® position
sensors**
8 pin M12

The 8-lead shielded cable is supplied with a mating 8-pin M12 connector at one end and 8 wires at the other end. Available lengths are 2 m, 5 m and 10 m. Wire: cross sectional area 0.25 mm².

Order code:

KAB - XM - M12/8F/G - LITZE
IP69K: KAB - XM - M12/8F/G/69K - LITZE

Length in m



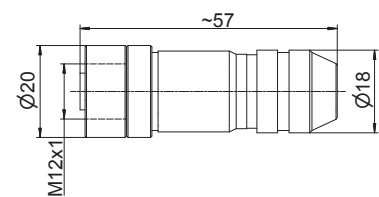
Connector cable wiring - M12, 8 pin	Connector pin / cable color							
	1	2	3	4	5	6	7	8
	White	Brown	Green	Yellow	Gray	Pink	Blue	Red

**Connector for WS®
position sensors**
8 pin M12

Female connector.

Order code:

CONN - M12 - 8F - G

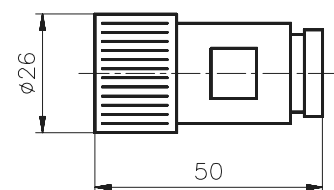


**Connector for WS®
position sensors**
12 pin CONIN

Female connector.

Order code:

CONN - CONIN - 12F - G



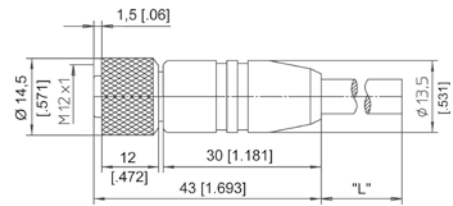
POSIWIRE® Accessories for WS® Position Sensors



Connector/bus cable for WS® position sensors

5 pin M12
CAN bus/DeviceNet

The 5-lead shielded cable is supplied with a female 5-pin M12 connector at one end and a male 5-pin M12 connector at the other end. Available lengths are 0.3 m, 2 m, 5 m and 10 m.



Order code:

KAB - XM - M12/5F/G - M12/5M/G - CAN

IP69K: KAB - XM - M12/5F/G/69K - M12/5M/G/69K - CAN

Length in m

T-piece for bus cable

5 pin M12
CAN bus/DeviceNet

Order code:

KAB - TCONN - M12/5M - 2M12/5F - CAN



Terminating resistance

5 pin M12
CAN bus/DeviceNet

Order code:

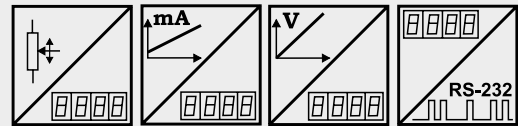
KAB - RTERM - M12/5M/G - CAN



PRODIS® PD-ADC Digital Process Meter for analog Sensors



- For WS® position sensors with analog output:
 - Voltage 0 ... 10 V
 - Current 0/4 ... 20 mA
 - Potentiometer (voltage divider)
- Integrated sensor supply
- 6-digit LED display
- RS-232 interface
- Optional 4 comparator Output
- Easy programming



Description

PRODIS-ADC is designed for use with analog position sensors to display angle and displacement. A high resolution A/D converter processes signals from sensors with voltage or current output.

The meter is programmable to display values within preset start/end range or values in units as inches, mm or degrees. A tare function or programming lock can be activated with two control terminals.

Sensor excitation is supplied by the meter. With four membrane keys all parameters can be programmed for the special applications. Optional comparator functions with 4 NPN open-collector Output are available, additional 2 of them have relay output.

Specifications		
Display		6-digit, 7-segment LED, height 14 mm, decimal point programmable
Counting rate		1 ... 25/s programmable
Measurement accuracy		±0.05 % f.s.
Excitation voltage/current		24 V DC ±10%/150 mA, residual ripple 1% _{pp} ; 85-250 V AC, 50-60 Hz/180 mA max.
Sensor excitation		24 V DC/300 mA; 5 V/10 mA
Input		Two channels, each for: Voltage 10V; U1; U2; U3; max. 24V Current I1, load 100 Ω, I _{max} <30 mA Voltage divider R _{min} =500 Ω, 0 ... 5 V One input or the difference between both inputs can be chosen by programming
Control input		2 control inputs 24 V, active low
Comparator Output (option)	Relay NPN	250 V AC/5 A, 30 V DC/5 A 24 V max./50 mA to GND
Connection		Terminal strip 12 pole, excitation 3 pole
Temperature coefficient		±20 x 10 ⁻⁶ / °C
Operating temperature		-10...+40 °C
Storage temperature		-20...+85 °C

Order Code PRODIS-ADC

Model Name

Excitation Voltage

24VDC = 24 V DC

230VAC = 85...250 V AC

Options

REL2 = Comparator

DT = Desktop version

PD-ADC

Order example: PD - ADC - 24VDC - REL2

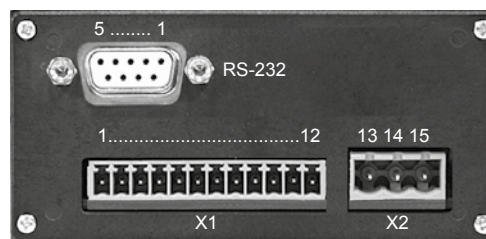
PRODIS® PD-ADC Digital Process Meter for analog Sensors



Specifications (continuation)	Weight	24 V DC: approx. 250 g; 230 V AC: approx. 400 g
	Protection class	Front IP60, rear IP40
	Humidity	Max. 80 % R. H., non condensing
	Safety of equipment	Directive 73/23/EWG: DIN EN61010:2002-03
	Electromagnetic compatibility, EMC	Directive 89/336/EWG
Programmable parameters / value range	Value range offset, limit values	-999999 to +999999
	Divisor, multiplier	0 to 999999
	Other programmable parameters	Decimal point position, display brightness
	Control input terminals	Key lock, display value hold, tare function

Wiring basic unit	Signals	Connector X1 pin no.	Connector X2 pin no.
		Sensor excitation +U _B 24 V	1
	Sensor excitation 0 V (GND)	2	
	Control input terminal 1: tare function	3	
	Control input terminal 2: programming lock	4	
	Voltage input terminal 0 ... 10 V, channel 1	5	
	Voltage input terminal 0 ... 10 V, channel 2	6	
	Current input terminal 0/4 ... 20 mA, channel 1	7	
	Current input terminal 0/4 ... 20 mA, channel 2	8	
	Voltage divider input terminal, channel 1	9	
	Voltage divider input terminal, channel 2	10	
	Sensor excitation, R1K +U _B 5V	11	
	GND	12	
	PD-ADC-24VDC		
	Excitation +24 V		13
	Excitation 0 V (GND)		14
	PD-ADC-230VAC		
	Excitation		13, 15
	Protective ground		14

Rear view without
comparator Output



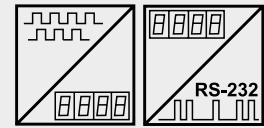
RS-232 interface	Level	RS-232: ±8 V, galvanically isolated	
	Data format	1 start bit, 8 data bits, 1 stop bit, no parity	
	Transmission rate	9600 Baud	
	Signals	Connector X3, Pin No.	D-Sub, Pin No.
	TxD	17	2
RxD	16	3	
GND	18	5	

For rear view with comparator Output and outline drawings see pages 90 and 91.

PRODIS®
PD-INC
Digital process meter for incremental sensors



- For WS® position sensors with incremental outputs
- Integrated sensor supply
- Counting rate up to 250 kHz (<1 MHz edge frequency)
- 6-digit LED display
- RS-232 interface
- Optional 4 comparator outputs
- Easy programming



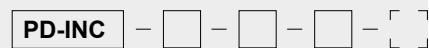
Description

PRODIS-INC is designed for use with incremental position sensors to display angles and displacements. The fast counter processes 90° phase shifted A,B signals (quadrature signals) for direction and counting information. Sensor excitation is supplied from the meter. With four membrane keys all parameters can be programmed for the special application. An zero signal and a reference signal can be used for calibration of the measurement system. Optional comparator functions with 4 NPN open-collector outputs are available, additional 2 of them have relay output.

Specifications

Display	6-digit, 7-segment LED, height 14 mm, decimal point programmable
Counting frequency	250 kHz max., 1 MHz edge frequency
Excitation voltage/current	24 V DC ±10%/150 mA, residual ripple 1% _{ss} ; 85-250 V AC, 50-60 Hz/180 mA max.
Sensor excitation	24 V DC/300 mA or 5V DC/500 mA
Inputs	A, B, Z, T (reference signal)
Comparator outputs (option)	Relay NPN
	250 V AC/5 A, 30 V DC/5 A 24 V max./50 mA to GND
Connection	Terminal strip 12-pole, excitation 3-pole
Operating temperature	-10 ... +40 °C
Storage temperature	-20 ... +85 °C
Weight	24 V DC: approx. 250 g; 230 V AC: approx. 400 g
Protection class	Front IP60, rear IP40
Humidity	Max. 80 % R.H., non condensing
Safety of equipment	Directive 73/23/EWG: DIN EN61010:2002-03
EMC	Directive 89/336/EWG

Order Code PRODIS-INC



Model name

Excitation voltage

24VDC = 24 V DC

230VAC = 85...250 V AC

Sensor excitation voltage

G24V = 24 V DC

G5V = 5 V DC

Sensor signal

HTL = HTL level with excitation voltage G24V

TTL = TTL level with excitation voltage G5V or G24V

Options

REL2 = Comparator

DT = Desktop version

Order example: PD - INC - 24VDC - G24V - HTL - REL2

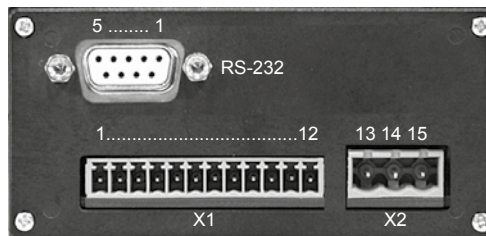
PRODIS[®]
PD-INC
Digital process meter for incremental sensors



Programmable parameters / value range	Value range display, offset, limit values	-999999 to +999999
	Divisor, Multiplier	0 to 999999
	Other programmable parameters	Counting direction, decimal point position, last-value memory, Z signal evaluation, display brightness
	Signal T	Manual zero, key lock, display value hold, Z release, relative measurement activation

Wiring basic unit	Signals	Connector X1 pin no.	Connector X2 pin no.
	Sensor +U _B	1	
	Sensor 0 V (GND)	2	
	Signal A	4	
	Signal \bar{A}	5	
	Signal B	6	
	Signal \bar{B}	7	
	Signal Z (zero signal)	8	
	Signal \bar{Z} (zero signal)	9	
	Signal T (reference signal)	10	
	Signal \bar{T} (reference signal)	11	
	GND	12	
	PD-INC-24VDC		
	Excitation +24 V		13
	Excitation 0 V (GND)		14
	PD-INC-230VAC		
	Excitation		13, 15
	Protective ground		14

Rear view without comparator outputs



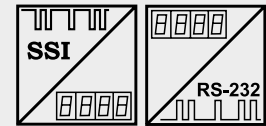
RS-232 interface	Level	RS-232: ±8 V, galvanically isolated	
	Data format	1 start bit, 8 data bits, 1 stop bit, no parity	
	Transmission rate	4800 / 9600 / ... / 115200 Baud	
	Signals	Connector X3 Pin No.	D-Sub Pin No.
	TxD	17	2
RxD	16	3	
GND	18	5	

Rear view with comparator outputs and outline drawings see pages 90 and 91

PRODIS® PD-SSI Digital Process Meter for Sensors with SSI output



- For WS® position sensors with SSI output
- Integrated sensor supply
- 6-digit LED display
- RS-232 interface
- Easy programming



Description

PRODIS-SSI is designed for use with SSI position sensors to display angle and displacement. Via the CLOCK lines, a sequence of pulses will be transmitted, the input DATA lines will read the sensor's serial bit sequence. The meter is programmable to display values within preset start/end range or values in units as inches, mm or degrees. A tare function or programming lock can be activated with two control terminals.

Sensor excitation is supplied by the meter. With four membrane keys, all parameters can be programmed for the special applications.

Specifications		
Display	6-digit, 7-segment LED, 14 mm high, decimal point programmable	
Sampling rate	100/s	
Excitation voltage/current	24 V DC $\pm 10\%$ /150 mA, residual ripple 1% _{pp} ; 85-250 V AC, 50-60 Hz/180 mA max.	
Sensor excitation	24 V DC/300 mA or 5 V DC/800 mA	
Inputs	DATA, $\overline{\text{DATA}}$ (RS422)	
Output	CLOCK, $\overline{\text{CLOCK}}$ (RS422)	
Control inputs	2 control inputs 24 V, active low	
Connection	Terminal strip 12-pole, excitation 3-pole	
Operating temperature	-10 ... +40 °C	
Storage temperature	-20 ... +85 °C	
Weight	24 V DC: approx. 250 g; 230 V AC: approx. 400 g	

Order Code PRODIS-SSI

Model name

Excitation Voltage

24VDC = 24 V DC

230VAC = 85...250 V AC

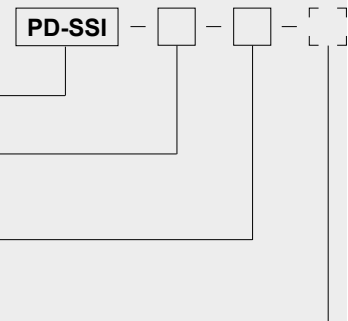
Sensor Excitation

G24V = 24 V DC

G5V = 5 V DC

Options

DT = Desktop version



Order example: PD - SSI - 230VAC - G24V

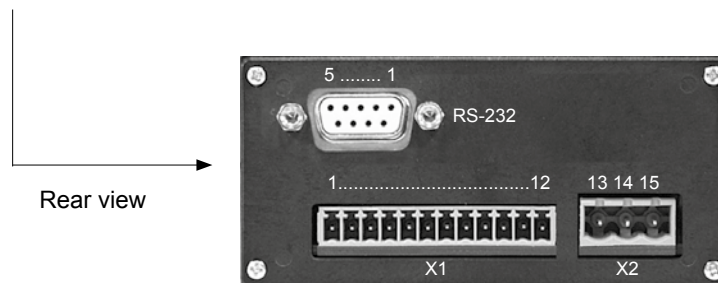
PRODIS® PD-SSI Digital Process Meter for Sensors with SSI output



Specifications (continuation)	Protection class	Front IP60, back IP40
	Humidity	Max. 80 % r.h., non condensing
	Safety of equipment	Directive 73/23/EWG: DIN EN61010:2002-03
	Electromagnetic compatibility, EMC	Directive 89/336/EWG

Programmable Parameters / Value range	Value range offset	-999999 to +999999
	Divisor, multiplier	0 to 999999
	Other programmable parameters	Decimal point position, display brightness
	Programmable SSI parameters	Gray/dual code, sign, sampling rate, data format
	Control inputs	Key lock, display value hold, tare function

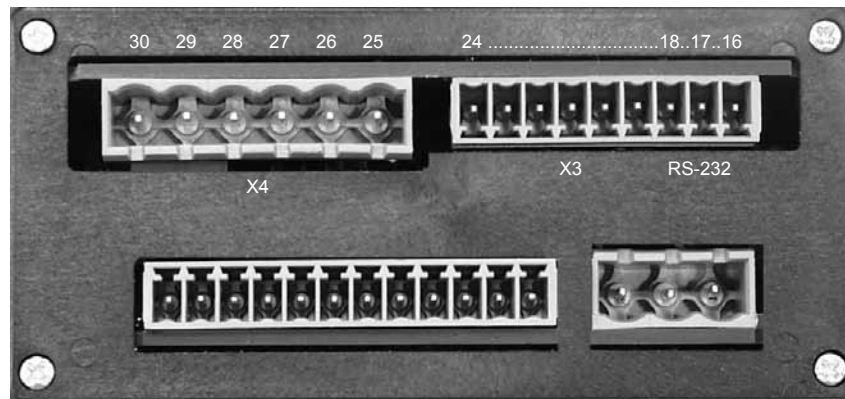
Wiring basic unit	Signals	Connector X1 pin no.	Connector X2 pin no.
	Sensor excitation +U _B (24 V or 5 V)		1
Sensor excitation 0 V (GND)		2	
Control input 1: tare function		3	
Control input 2: programming lock		4	
Not used		5 / 6	
Output C <small>LOCK</small>		7	
Output C <small>LOCK</small>		8	
Input DATA		9	
Input DATA		10	
Do not connect!		11	
GND		12	
PD-SSI-24VDC			
Excitation +24 V			13
Excitation 0 V (GND)			14
PD-SSI-230VAC			
Excitation			13, 15
Protective ground			14



RS-232 interface	Level	RS-232: ±8 V, galvanically isolated	
	Data format	1 start bit, 8 data bits, 1 stop bit, no parity	
	Transmission rate	4800 / 9600 / 19200 / 115200 Baud	
	Signals	Connector X3, pin no.	D-Sub, pin no.
	TxD	17	2
	RxD	16	3
GND	18	5	

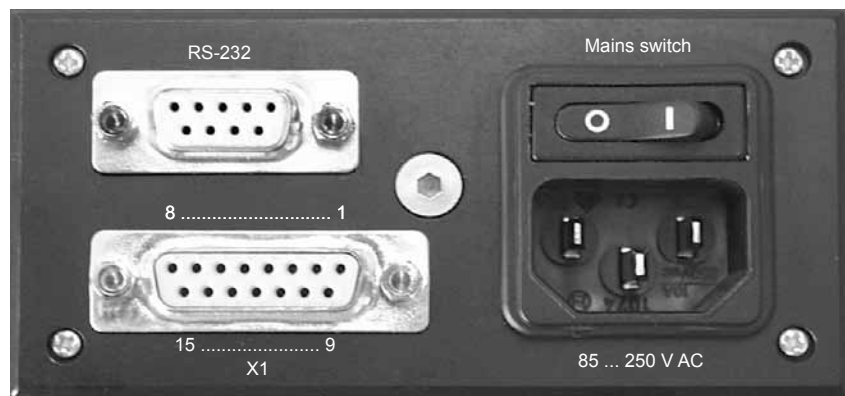
Outline drawings see the following pages.

Rear view with comparator Output



Comparator function (option)	Comparator	Comparator output			
	NPN Collector	Connector X3 pin no.	Relay	Connector X4 pin no.	LED
Comparator 1	NPN1	20	Relay 1	25	LED1
			NO		
Comparator 2	NPN2	21	Relay 2	28	LED2
			NO		
Comparator 3	NPN3	22			
Comparator 4	NPN4	23			
	NPN GND	24			
	NPN U _B (+24V)	19			

Desktop version (option)

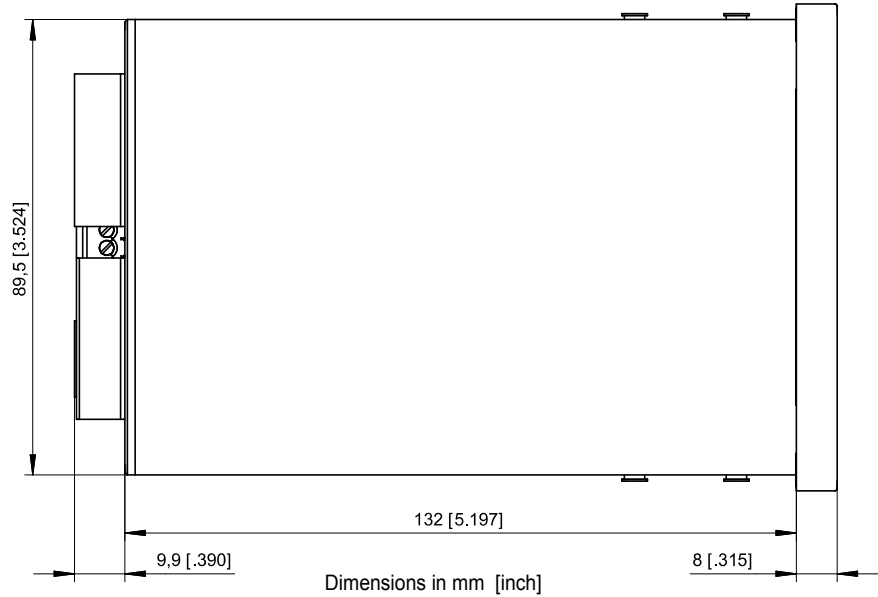
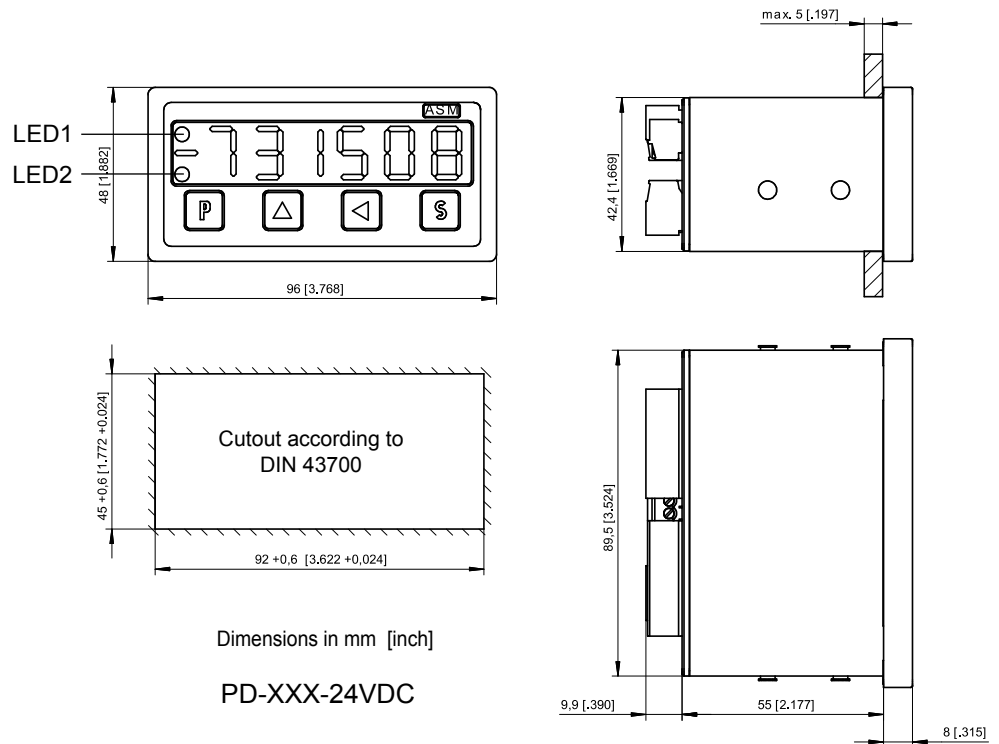


Wiring of connector X1 see table at page 85 (PD-ADC), page 87 (PD-INC) resp. page 89 (PD-SSI).

PRODIS® Digital Process Meter



Outline drawing



PD-XXX-230VAC

Dimensions informative only.
For guaranteed dimensions
consult factory.

Other ASM Products




ASM
perfect in sensors.

POSITAPE®
Tape Actuated Position Sensors

Ultra Compact Design

Heavy Duty Models

Large Measurement Ranges




ASM
perfect in sensors.

POSICHRON®
Magnetostrictive Position Sensors

Round Profile Design

Square Profile Design & Flat Profile Design

Rod Style Design



ASM
perfect in sensors.

POSIMAG®
Magnetic Scale Position Sensors



ASM
perfect in sensors.

POSIROT®
Magnetic Angle Sensors

POSIROT®
Magnetic Angle Encoders

POSITILT®
Magnetic Inclinometers

• Please send me detailed information/catalog on the following products:

- POSITAPE® Tape Actuated Position Sensors
- POSICHRON® Magnetostrictive Position Sensors
- POSIMAG® Magnetic Scale Position Sensors
- POSIROT®/POSITILT® Magnetic Angle Sensors and Inclinometers

**Fax +49-(0)8123-986-500
for UK: +44-(0)845-1222-124**

Company: _____

Mr./Ms.: _____

Department: _____

Street: _____

City: _____

Tel. / Fax: _____

e-mail: _____

Website: _____

Protection classes according to EN 60529



2 nd char. numeral: Protection against ingress of water 1 st char.numeral: Protection against solid foreign objects									
Protection against ...	Non protected	Falling water drops vertical / 15°		Spraying water	Splashing water	Water jets	Powerful water jets	Temporary immersion	Continuous Immersion
IEC 529	IP .. 0	IP .. 1	IP .. 2	IP .. 3	IP .. 4	IP .. 5	IP .. 6	IP .. 7	IP .. 8
IP 0 .. Non protected	IP 00								
IP 1 .. Solid foreign objects diameter ≥ 50 mm	IP 10	IP 11	IP 12						
IP 2 .. Solid foreign objects diameter ≥ 12,5 mm	IP 20	IP 21	IP 22	IP 23					
IP 3 .. Solid foreign objects diameter ≥ 2,5 mm	IP 30	IP 31	IP 32	IP 33	IP 34				
IP 4 .. Solid foreign objects diameter ≥ 1 mm	IP 40	IP 41	IP 42	IP 43	IP 44				
IP 5 .. Dust-protected	IP 50		IP 52	IP 53	IP 54	IP 55	IP 56		
IP 6 .. Dust-tight	IP 60				IP 64	IP 65	IP 66	IP 67	IP 68

* Depth and duration of immersion must be specified!

IP69K - Water at high pressure / steam jet cleaning
 Note: IP67/IP69K does not include IP68



perfect in sensors.

**ASM GmbH
Headquarter**

Am Bleichbach 18 - 22
85452 Moosinning
Germany
Tel. +49-(0)8123-986-0
Fax +49-(0)8123-986-500
info@asm-sensor.de
www.asm-sensor.de

**ASM GmbH
Sales Office UK**

Tanyard House, High Street
Measham, Derbs DE12 7HR
Great Britain
Tel. +44-(0)845-1222-123
Fax +44-(0)845-1222-124
uk@asm-sensor.com
www.asm-sensor.com

**ASM GmbH
Agence France**

1, rue du Neuland
F-67560 Rosheim
France
Tel. +33-(0)3-88 49 25 35
Fax +33-(0)3-88 48 06 23
france@asm-sensor.com
www.asm-sensor.com

ASM Sensors, Inc.

650 W. Grand Avenue, Suite 205
Elmhurst, IL 60126
USA
Tel. 630-832-3202
Fax 630-832-3204
info@asmsensors.com
www.asmsensors.com